

### I. Product specification

#### 1. Overview

- Fully assembled fans modules perfectly suited for energy efficient projects
- Smaller direct drive fans produce higher frequency sound which is easier to attenuate, often eliminating the need for upstream and downstream sound attenuation
- DLL with fan system selection in any mode
- Possibility of application CAV/VAV (constant air volume/ variable air volume)
- Up to 1236 CFM for single fan

#### 2. Impeller

- Impeller with 7 backward-curved blades in frame sizes 7.5" to 12.4". Air flow rates up to 1236 CFM. Impeller made of high-performance composite material. Version with inlet nozzles. Module for compact installation in customer applications/devices for horizontal and vertical air feed
- Operating temperature -22°F to 140°F
- Balanced acc. with ISO 1940-1 and ANSI S2.19 – 1989

#### 3. Nominal data

- Material: Support bracket and plate: Sheet steel, galvanized, Impeller: plastic, electronics housing: Die-cast aluminum
- Number of blades: 7
- Direction of rotation: Clockwise
- Degree of protection: IP 54
- Installation position: horizontal or vertical
- Speed Control: 0~10VDC, Modbus RTU
- Pressure tap

Used for fan type	Rated voltage	Frequency	Rated Current	Rated Input Power	Rated Speed	Operating Temperature	Degree of protection
SR190/0,17	230VAC	50/60Hz	1,2A	0.22 HP	4490 rpm	-13°F to 140°F	IP 44
SR225/0,37 (UL)	110/240VAC	50/60Hz	2,6A	0.46 HP	3600 rpm	-13°F to 140°F	IP 54
SR225/0,37	230VAC	50/60Hz	2,3A	0.46 HP	3600 rpm	-13°F to 140°F	IP 54
SR225/0,75 (UL)	110/240VAC	50/60Hz	3,2A/230VAC	0.97 HP	4500 rpm	-13°F to 140°F	IP 54
SR225/0,75	230VAC	50/60Hz	5,4A	0.97 HP	4500 rpm	-13°F to 140°F	IP 54
SR250/0,37 (UL)	110/240VAC	50/60Hz	2,6A	0.57 HP	3000 rpm	-13°F to 140°F	IP 54
SR250/0,37	230VAC	50/60Hz	2,3A	0.57 HP	3000 rpm	-13°F to 140°F	IP 54
SR250/0,75 (UL)	110/240VAC	50/60Hz	3,7A/230VAC	1.14 HP	3800 rpm	-13°F to 140°F	IP 54
SR250/0,75	230VAC	50/60Hz	5,1A	1.14 HP	3800 rpm	-13°F to 140°F	IP 54
SR315/0,75 (UL)	110/240VAC	50/60Hz	3,3A/230VAC	1.02 HP	2600 rpm	-13°F to 140°F	IP 54
SR315/0,75	230VAC	50/60Hz	3,8A	1.02 HP	2600 rpm	-13°F to 140°F	IP 54

*\*data and dimensions may be changed please contact for the individual drawing and data*

#### 4. Size range

- Direct drive fans are in 4 sizes

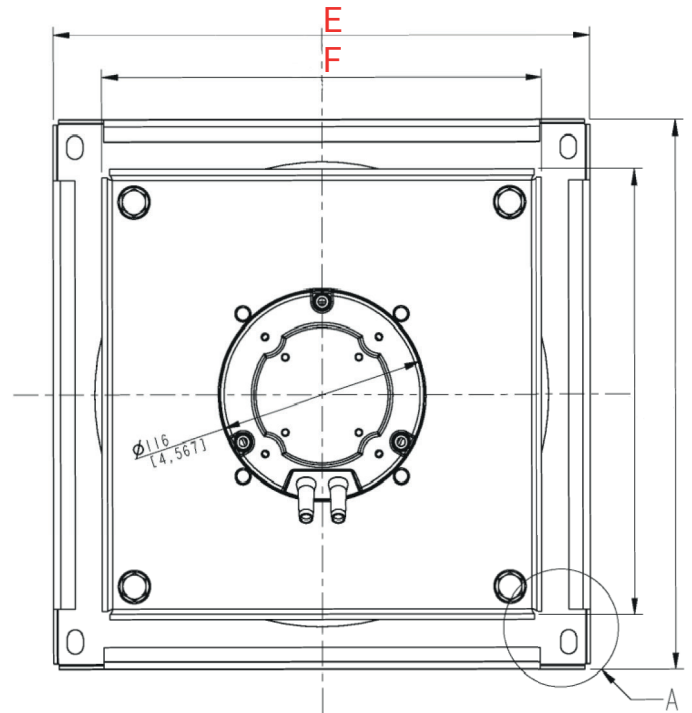
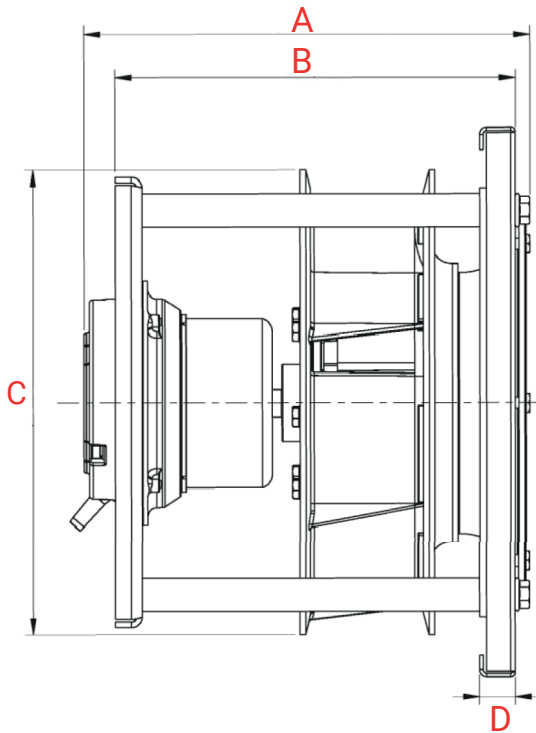
Type	Size "	Power HP	Delta p lwg	Volume CFM
SR190/0,17	7.5	0.22	2.248	323
SR225/0,37	8.8	0.5	2.509	718
SR225/0,75	8.8	1.0	3.733	904
SR250/0,37	9.8	0.5	2.408	803
SR250/0,75	9.8	1.0	3.412	1180
SR315/0,75	12.4	1.0	3.813	1236

*\*data and dimensions may be changed please contact for the individual drawing and data*

#### 5. Motor

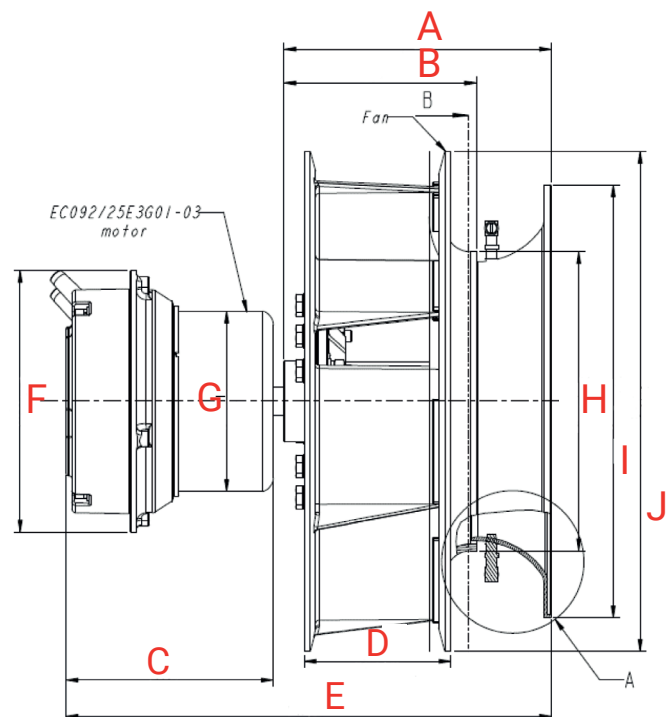
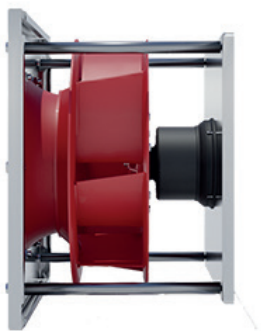
- Rated Voltage: 230VAC or 110/240VAC (with UL)
- Frequency 50/60Hz
- Operating temperature -13°F to 140°F
- Protection IP 54
- Speed control: 0~10VDC, Modbus RTU

II. Drawings [in]



SR ASM						
Type	A	B	C	D	E	F
190/0.17	4.72	3.8	7.5	0.07	8.6	7.1
225/0.37	9.8	9.2	10	0.8	11.8	9.7
225/0.75	10.83	9.2	10	0.8	11.8	9.7
250/0.37	10.36	9.3	11.2	0.8	12.9	10.9
250/0.75	11.4	9.8	11.2	0.8	12.9	10.9
315/0.75	13.4	11.7	358	0.8	15.7	13.6

\*data and dimensions may be changed please contact for the individual drawing and data



SR VENT										
Type	A	B	C	D	E	F	G	H	I	J
225/0.37	5.4	3.9	4.1	2.9	9.7	5.2	3.6	6.0	8.7	10
225/0.75	5.4	3.4	5.2	2.9	10.7	5.9	4.0	6.0	8.7	10
250/0.37	5.8	4.3	4.1	3.3	10.2	5.2	3.6	6.7	9.4	10
250/0.75	5.8	3.7	5.2	3.3	11.2	5.9	4.0	6.7	9.4	10
315/0.75	7.3	4.2	5.8	4.1	13.2	5.9	4.0	8.4	12.2	10

\*data and dimensions may be changed please contact for the individual drawing and data