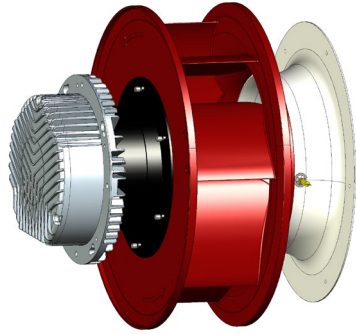


SR-MI-P-315-## Backward Curved Motorized Impeller

Technical Specification*



Application

- Various systems of mechanical ventilation,
- Primary Air Movement units for Air Handling Units, Roof Top Units and other,
- Ventilation systems requiring low Specific Fan Power (SFP) together with smooth and precise airflow adjustment,
- Perfect solution to be combined into Fan-Array systems,
- Fitted for Vertical and Horizontal Arrangement.

General Specification

- Motorized impeller with separate inlet funnel,
- Support to CAV/VAV systems (factory mounted static pressure probes on fan inlet vane + precisely determined K-factor),
- Air performance according to ISO 5801, Installation Category: A, L_wA according to ISO 13347.

Impeller

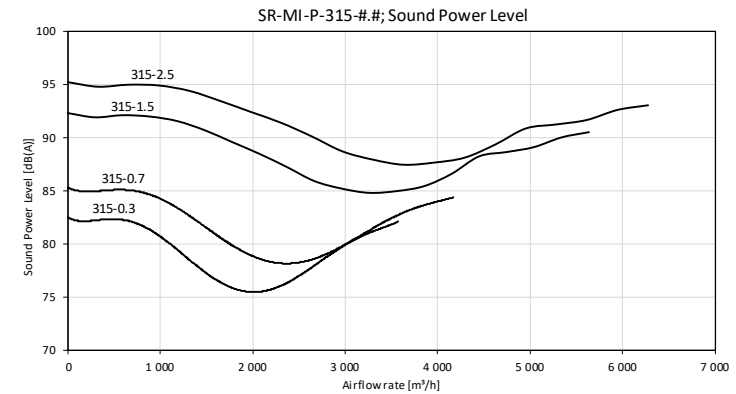
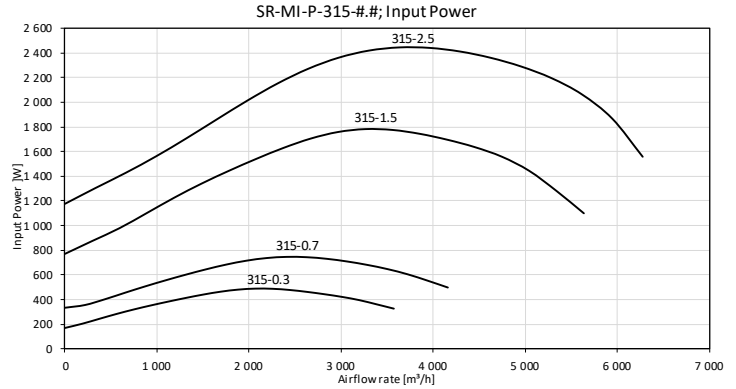
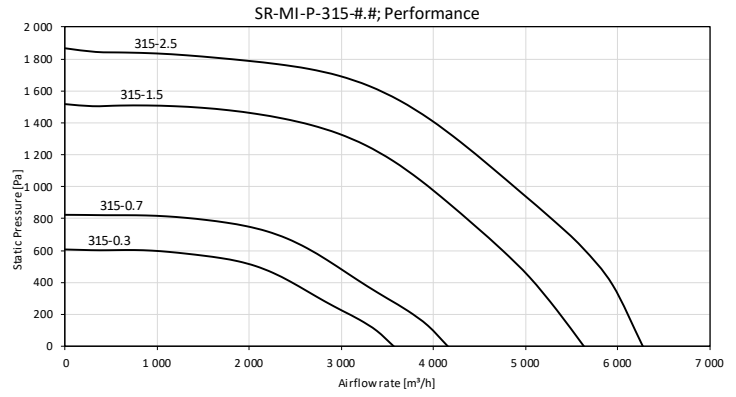
- Type: Radial, Backward-curved, Single Inlet,
- Material: High Performance Composite Material (P),
- Balance quality grade: G 6,3 (ISO 1940-1) and BV-3 (ANSI S2.19-1989)

Inlet funnel

- Material: Hot-dip galvanized steel.

Motor

- Type: Electronically Commutated, Spinning Stator,
- Housing: Die-cast aluminum,
- Protection Degree: IP54,
- Overload Protection: Inbuilt Thermal Limit,
- Speed Control: 0~10VDC / Modbus RTU,
- Bearing: Ball Type.



FanSet Model	Power supply			Revolutions [min ⁻¹]		Efficiency		Reference standards			CAV K-factor	Weight
	Rated Voltage	Rated Current	Input Power	Min	Max/Nominal	Static	FEG	ErP	CE	UL		
SR-MI-P-315-0.3	1x230 VAC / 50-60 Hz	3.0 A	0.5 kW	300	2 060	59%	85	2018	Yes	Yes	93.0	4.6 kg
SR-MI-P-315-0.7	1x230 VAC / 50-60 Hz	5.7 A	0.7 kW	300	2 400	60%	85	2018	Yes	Yes	89.2	6.2 kg
SR-MI-P-315-1.5	3x380-480 VAC / 50-60 Hz	2.9 A	1.8 kW	325	3 250	65%	90	2018	Yes	Yes	92.7	9.5 kg
SR-MI-P-315-2.5	3x380-480 VAC / 50-60 Hz	3.8 A	2.5 kW	360	3 600	64%	85	2018	Yes	Yes	97.5	10.5 kg

Model	315-0.3	315-0.7	315-1.5	315-2.5
A	133	153	210	210
B	114	150	168	168
C	310	310	310	310
D	358	358	358	358
E	267	297	325	348
F	134	149	270	293
G	148	148	148	148
H	179	195	216	239
I	125	164	186	186

