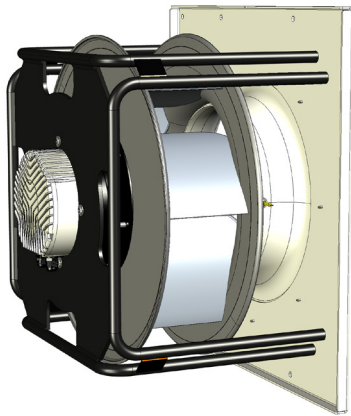


Appearance



General specification

Fan Set Model	70.2%
Rated Voltage	A
Rated Current	Static
Nominal Input Power	73.6%
Revolutions: Min / Nominal	Yes
CAV K-factor	1.75 kW
Storage temperature range	5 176 m³/h
Operating temperatures range	797.8
Support plate material	1 800
Support brackets material	1.01
Mass	21.9 kg
Installation position	Horizontal / Vertical shaft

Application

Various mechanical ventilation systems, air handling units, rooftop units, and others

Ventilation systems requiring low Specific Fan Power (SFP) together with smooth and precise airflow adjustment

Perfect solution to be combined into Fan-Array systems

Fitted for vertical and horizontal arrangement

Support to CAV/VAV systems (factory mounted static pressure probes on fan inlet vane + precisely determined K-factor)

Air performance according to ISO 5801, Installation Category: A, LWA according to ISO 13347.

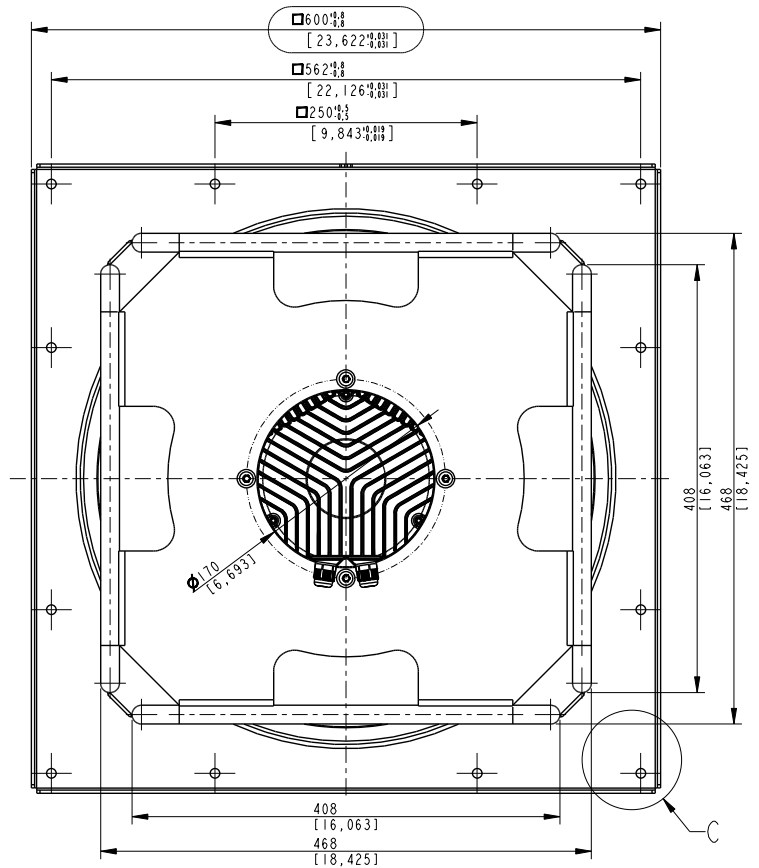
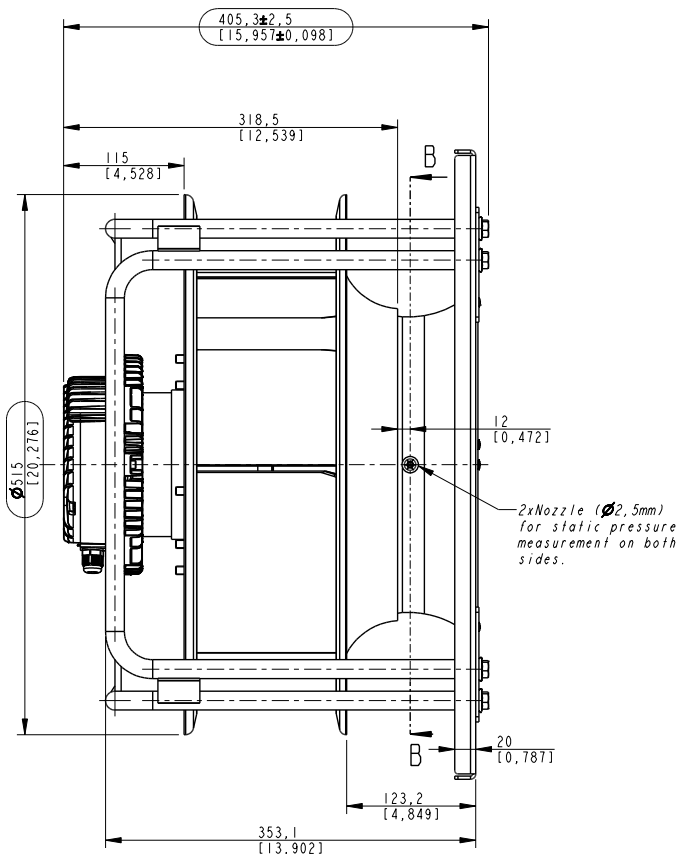
Motor

Type	Electronically Comutated, Brushless DC
Housing	Die-cast aluminum
Protection Degree	IP 54
Overload protection	Inbuilt thermal limit
Speed Control	0~10VDC / Modbus RTU
Bearings	Ball type

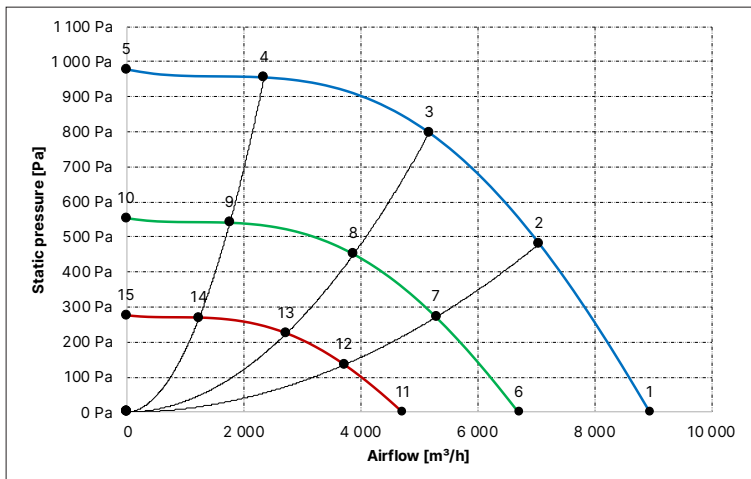
Impeller

Fan Impeller Size	450 mm
Blade design / No of blades	Aerofoil / 7
Spinning direction	Clockwise, wiewed from air inlet
Impeller material	Aluminum
Inlet funnel material	Hot-dip galvanized steel
Balance grade	G 6,3 (ISO 1940-1) and BV-3 (ANSI S2.19-1989)

Installation Dimensions



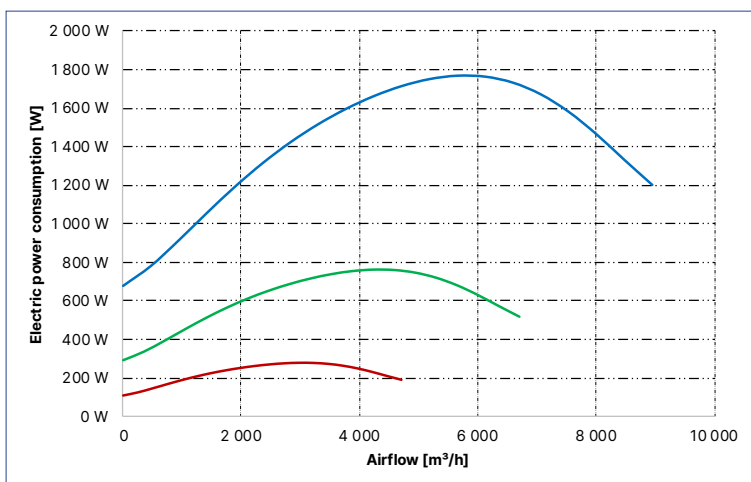
dP = f(V)



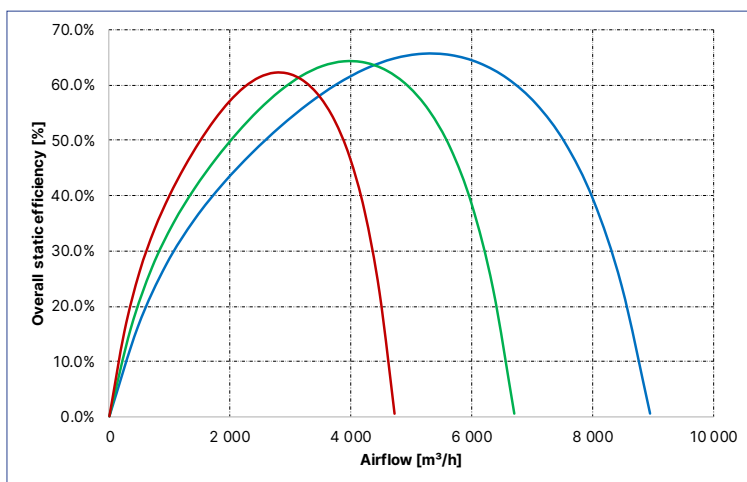
Measurment Points

Point #	n RPM	EPC [kW]	I[A]	LpAin [dB(A)]	LwAin [dB(A)]	LwAout [dB(A)]	V [m³/h]	dP [Pa]
1	1800	1.20	1.5	81.9	89.9	90.8	8 940	2
2	1800	1.67	2.2	74.3	82.3	85.0	7 058	481
3	1800	1.75	2.3	69.4	77.4	81.9	5 176	798
4	1800	1.31	1.7	71.3	79.3	84.6	2 353	955
5	1800	0.68	0.0	72.4	80.4	86.9	0	978
6	1350	0.29	0.7	75.2	83.2	84.5	6 705	1
7	1350	0.72	0.9	67.9	75.9	78.9	5 293	272
8	1350	0.76	1.0	64.0	72.0	76.2	3 882	451
9	1350	0.57	0.7	64.7	72.7	77.9	1 764	540
10	1350	0.29	0.4	65.9	73.9	80.2	0	553
11	950	0.19	0.2	69.2	77.2	78.9	4 718	1
12	950	0.26	0.3	62.2	70.2	73.4	3 725	136
13	950	0.27	0.4	59.1	67.1	71.1	2 732	225
14	950	0.21	0.3	58.8	66.8	71.9	1 242	270
15	950	0.11	0.1	60.2	68.2	74.3	0	276

EPC = f(V)



η<sub>st</sub> = f(V)



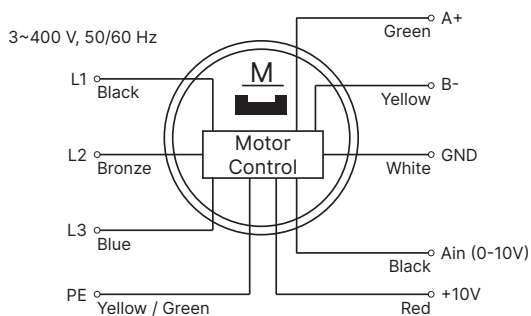
Compliance with Standards

ISO 5801:2017	„Fans – Performance testing using standardized airways”
Commission Regulation(EU) 327/2011	Requirements for fans driven by motors with an electric input power between 125 W and 500 kW.

Information according to (EU) 327/2011 (ERP 2018)

1	Overall efficiency η <sub>es</sub>	70.2%
2	Measurement category	A
3	Efficiency Category	Static
4	Efficiency grade N: Actual / Req. 2015	73.6%
5	Variable speed drive	Yes
9	Power consumption P <sub>ed</sub>	1.75 kW
	Air flow q <sub>v</sub>	5 176 m³/h
10	Pressure increase p <sub>fs</sub>	797.8
	Speed (rpm) n	1 800
11	Specific ratio	1.01

Connection of power and control cables



Wire Harness	Terminal Number / Color	Description	
Power Supply	L1	Black	
	L2	Brown	
	L3	Blue	
	PE	Yellow / Green	Protective Earth Connection
Control	A	Green	RS485 - A; MODBUS RTU
	B	Yellow	RS485 - B; MODBUS RTU
	10 V	Red	Output 10V DC
	Ain	Black	Analog Input; 0-10 V DC, R ≥ 1 kΩ
	Gnd	White	I/O ground