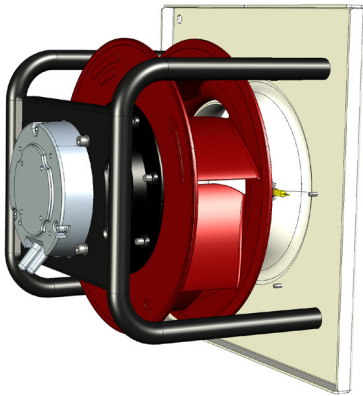


Appearance



Application

Various mechanical ventilation systems, air handling units, rooftop units, and others

Ventilation systems requiring low Specific Fan Power (SFP) together with smooth and precise airflow adjustment

Perfect solution to be combined into Fan-Array systems

Fitted for vertical and horizontal arrangement

Support to **CAV/VAV** systems (factory mounted static pressure probes on fan inlet vane + precisely determined K-factor)

Air performance according to ISO 5801, Installation Category: A, LWA according to ISO 13347.

General specification

Fan Set Model	SR-FS-P-225-0.3
Rated Voltage	1×230 VAC / 50-60 Hz
Rated Current	3.0 A
Nominal Input Power	0.4 kW
Revolutions: Min / Nominal	360 ÷ 3600 RPM
CAV K-factor	47.0
Storage temperature range	-30°C to 50°C
Operating temperatures range	-25°C to 50°C
Support plate material	Galvanized steel
Support brackets material	Black painted steel
Mass	6.1 kg
Installation position	Horizontal / Vertical shaft

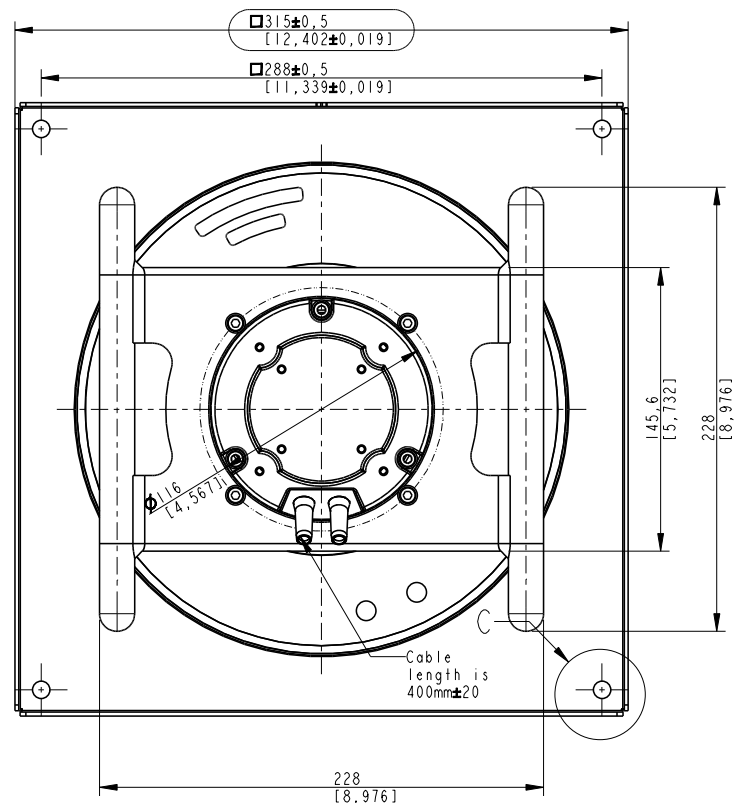
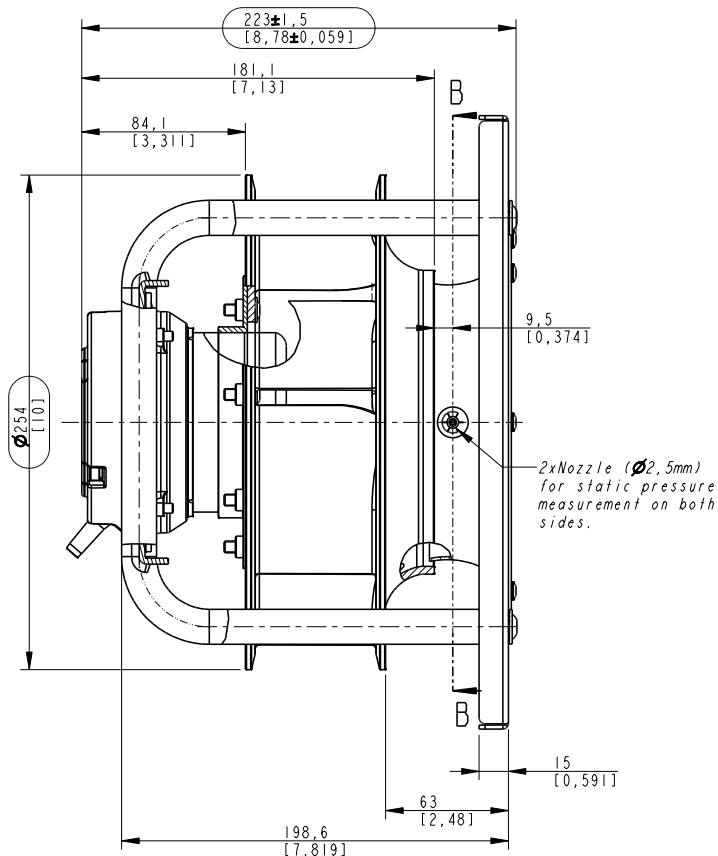
Motor

Type	Electronically Comutated, Brushless DC
Housing	Die-cast aluminum
Protection Degree	IP 54
Overload protection	Inbuilt thermal limit
Speed Control	0~10VDC / Modbus RTU
Bearings	Ball type

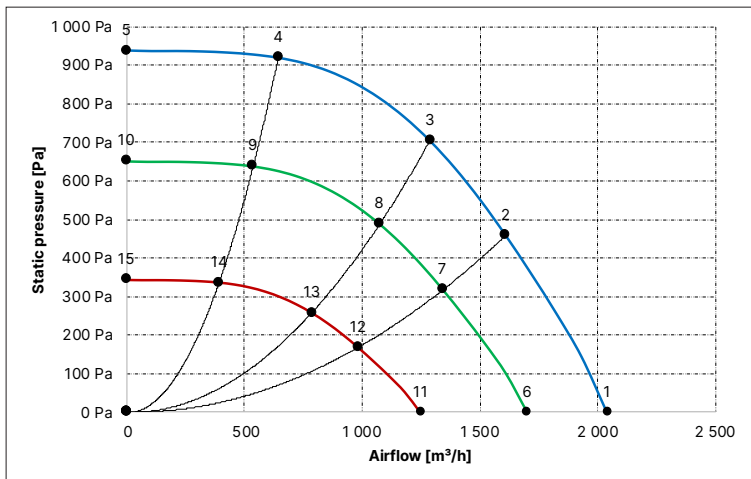
Impeller

Fan Impeller Size	225 mm
Blade design / No of blades	Aerofoil / 7
Spinning direction	Clockwise, wiewed from air inlet
Impeller material	Polymer
Inlet funnel material	Hot-dip galvanized steel
Balance grade	G 6,3 (ISO 1940-1) and BV-3 (ANSI S2.19-1989)

Installation Dimensions



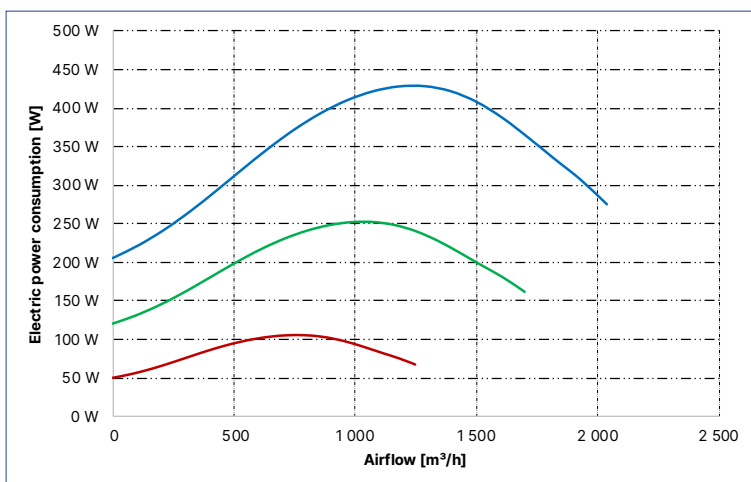
dP = f(V)



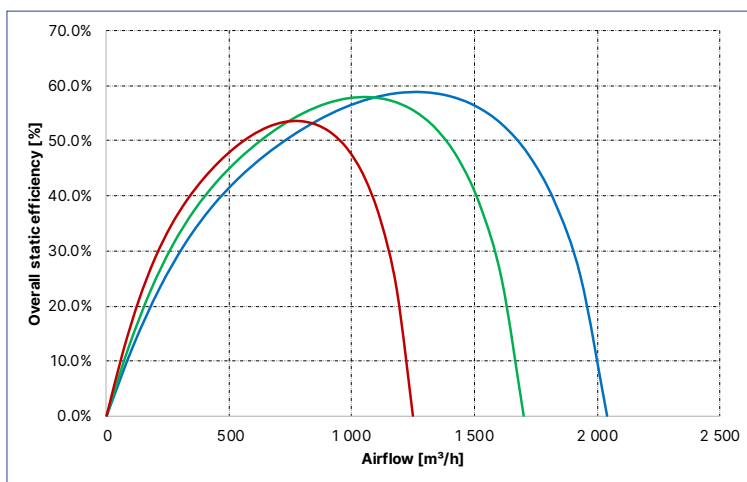
Measurment Points

Point #	n RPM	EPC [kW]	I[A]	L _p A _{in} dB(A)	L _w A _{in} dB(A)	L _w A _{out} dB(A)	V [m³/h]	dP [Pa]
1	3 600	0.27	1.5	67.3	75.3	81.5	2 040	0
2	3 600	0.39	2.2	64.6	72.6	78.3	1 611	459
3	3 600	0.43	2.4	63.9	71.9	77.5	1 288	704
4	3 600	0.35	2.0	69.7	77.7	82.8	644	919
5	3 600	0.20	0.0	70.8	78.8	84.9	0	938
6	3 000	0.12	0.9	63.0	71.0	77.7	1 700	0
7	3 000	0.23	1.3	60.6	68.6	74.4	1 342	318
8	3 000	0.25	1.4	60.9	68.9	73.2	1 074	489
9	3 000	0.20	1.1	65.1	73.1	78.0	537	638
10	3 000	0.12	0.7	66.1	74.1	80.0	0	652
11	2 200	0.07	0.4	58.2	66.2	72.6	1 247	0
12	2 200	0.10	0.5	55.2	63.2	69.2	984	168
13	2 200	0.11	0.6	56.6	64.6	67.6	787	258
14	2 200	0.09	0.5	58.9	66.9	71.6	394	337
15	2 200	0.05	0.3	59.8	67.8	73.4	0	344

EPC = f(V)



η_{st} = f(V)



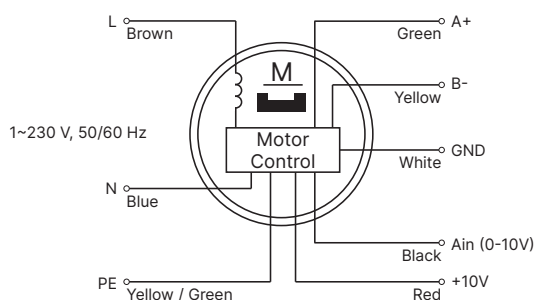
Compliance with Standards

ISO 5801:2017	„Fans – Performance testing using standardized airways”
Commission Regulation(EU) 327/2011	Requirements for fans driven by motors with an electric input power between 125 W and 500 kW.

Information according to (EU) 327/2011 (ERP 2018)

1	Overall efficiency η _{es}	65.4%
2	Measurement category	A
3	Efficiency Category	Static
4	Efficiency grade N: Actual / Req. 2015	73.3%
5	Variable speed drive	Yes
9	Power consumption P _{ed}	0.43 kW
	Air flow q _v	1 288 m³/h
	Pressure increase p _{fs}	704.0
10	Speed (rpm) n	3 600
11	Specific ratio	1.01

Connection of power and control cables



Wire Harness	Terminal Number / Color	Description
Power Supply	L1 Black	Supplying voltage 3*400 V AC, 50 Hz
	N	Neutral
	PE Yellow / Green	Protective Earth Connection
Control	A Green	RS485 - A; MODBUS RTU
	B Yellow	RS485 - B; MODBUS RTU
	10 V Red	Output 10V DC
	Ain Black	Analog Input; 0-10 V DC, R ≥ 1 kΩ
	Gnd White	I/O ground