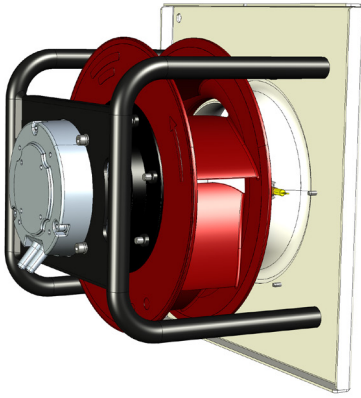


Appearance



Application

Various mechanical ventilation systems, air handling units, rooftop units, and others

Ventilation systems requiring low Specific Fan Power (SFP) together with smooth and precise airflow adjustment

Perfect solution to be combined into Fan-Array systems

Fitted for vertical and horizontal arrangement

Support to **CAV/VAV** systems (factory mounted static pressure probes on fan inlet vane + precisely determined K-factor)

Air performance according to ISO 5801, Installation Category: A, LWA according to ISO 13347.

General specification

Fan Set Model	SR-FS-P-225-0.3
Rated Voltage	1×230 VAC / 50-60 Hz
Rated Current	3.0 A
Nominal Input Power	0.5 kW
Revolutions: Min / Nominal	360 ÷ 3600 RPM
CAV K-factor	47.0
Storage temperature range	-30°C to 50°C
Operating temperatures range	-25°C to 50°C
Support plate material	Galvanized steel
Support brackets material	Black painted steel
Mass	6.1 kg
Installation position	Horizontal / Vertical shaft

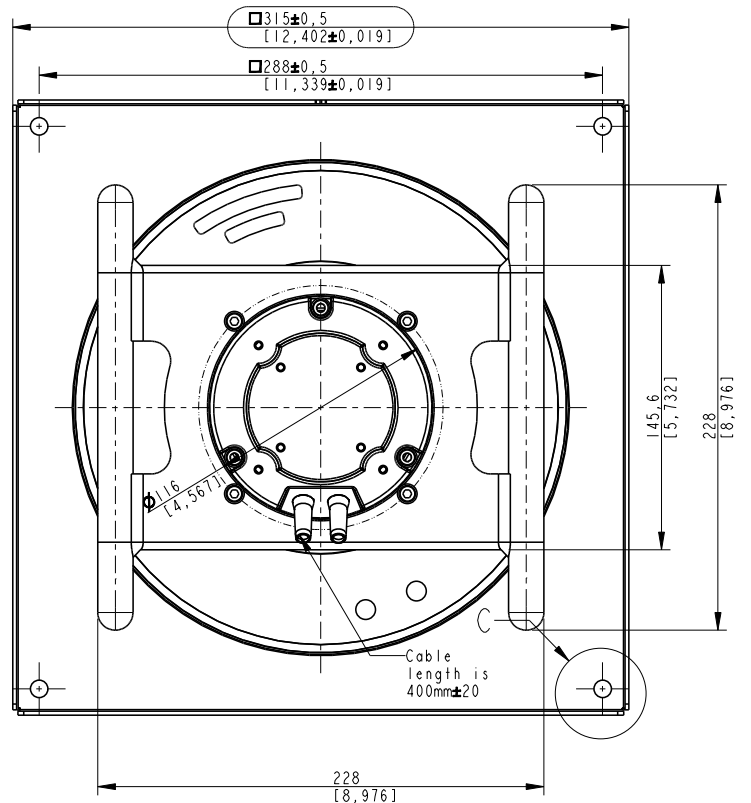
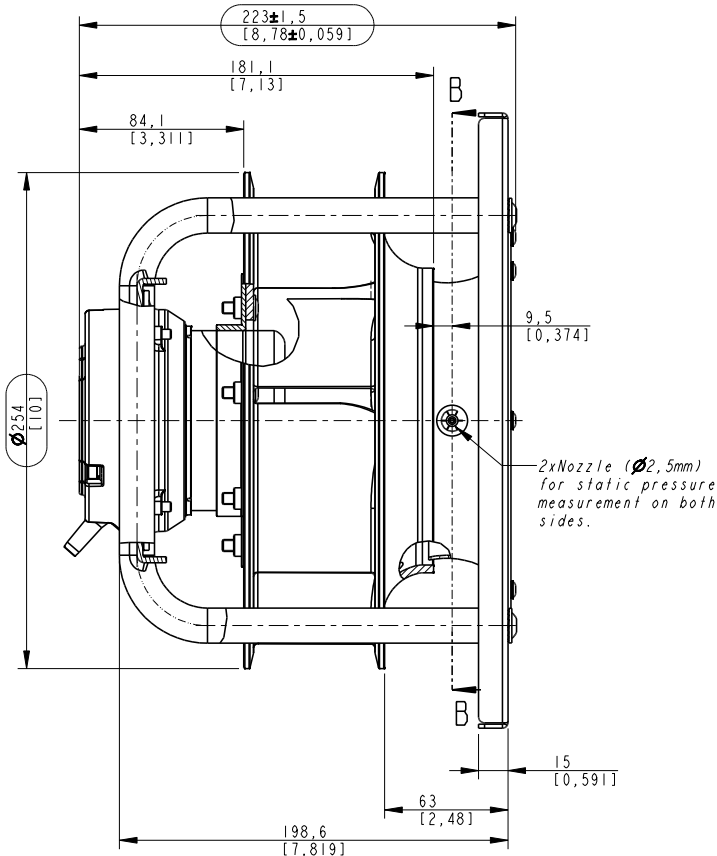
Motor

Type	Electronically Comutated, Brushless DC
Housing	Die-cast aluminum
Protection Degree	IP 54
Overload protection	Inbuilt thermal limit
Speed Control	0~10VDC / Modbus RTU
Bearings	Ball type, Maintenance Free, Permanently Lubricated
Bearings service life L ₁₀	63 400 (40 °C) / 31 700 (max. work. temperature)

Impeller

Fan Impeller Size	225 mm
Blade design / No of blades	Aerofoil / 7
Spinning direction	Clockwise, wiewed from air inlet
Impeller material	Polymer
Inlet funnel material	Hot-dip galvanized steel
Balance grade	G 6,3 (ISO 1940-1) and BV-3 (ANSI S2.19-1989)

Installation Dimensions



Information according to (EU) 327/2011 (ERP 2018)

Commission Regulation (EU) 327/2011		Requirements for fans driven by motors with an electric input power between 125 W and 500 kW.
1	Overall efficiency η_{es}	65.4%
2	Measurement category	A
3	Efficiency Category	Static
4	Efficiency grade N: Actual / Req. 2015	73.3%
5	Variable speed drive	Yes
9	Power consumption P_{ed}	0.43 kW
	Air flow q_v	1 288 m ³ /h
	Pressure increase p_{fs}	704.0
10	Speed (rpm) n	3 600
11	Specific ratio	1.01

Compliance with Standards

ISO 5801:2017	„Fans – Performance testing using standardized airways”
ANSI/AMCA Standard 210-16	Laboratory Methods of Testing Fans for Certified Aerodynamic Performance Rating
ANSI/AMCA Standard 300-14	Reverberant Room Method for Sound Testing of Fans
AMCA Standard 205-10	Energy Efficiency Classification for Fans
ANSI/AMCA Standard 208-18	Calculation of the Fan Energy Index

AMCA Certification

Swiss Rotors Sp. z o.o. certifies that the

SR-FS-P-225-0.3 Fan Set

shown herein is licensed to bear the AMCA seal. The ratings shown are based on tests and procedures performed in accordance with AMCA Publication 211 and AMCA Publication 311 and comply with the requirements of the AMCA Certified Ratings Program.

Power rating does not include transmission losses.

Performance ratings do not include the effects of appurtenances.

Performance certified is for installation type A (Free inlet, free outlet).



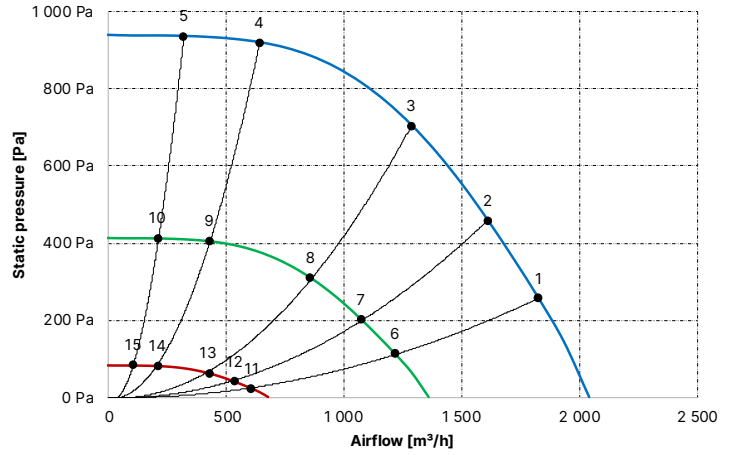
AMCA Fan Efficiency Grade

Fan Efficiency Grade (FEG), AMCA 205-10	90
---	----

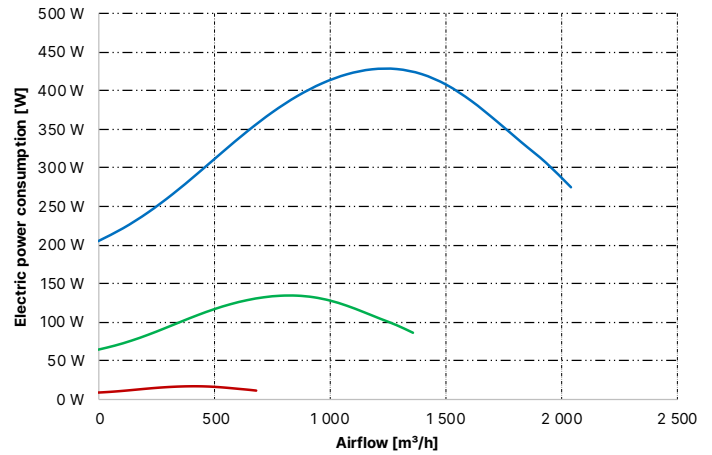
Measured Points

Point #	n [RPM]	V [m ³ /h]	dP [Pa]	I [A]	EPC [kW]	L _p A _{in} [dB(A)]	L _w A _{in} [dB(A)]	L _w A _{out} [dB(A)]	FEI
1	3 600	1 825	256	1.9	0.33	66.9	74.9	81.0	1.20
2	3 600	1 611	459	2.2	0.39	64.8	72.8	78.4	1.47
3	3 600	1 288	704	2.4	0.43	64.0	72.0	78.0	1.61
4	3 600	644	919	2.0	0.35	70.1	78.1	83.3	1.56
5	3 600	322	935	1.5	0.27	71.8	79.8	85.2	1.45
6	2 400	1 217	113	0.6	0.10	58.1	66.1	72.2	1.67
7	2 400	1 074	202	0.7	0.12	56.0	64.0	69.6	1.86
8	2 400	859	310	0.7	0.13	55.2	63.2	69.2	1.96
9	2 400	429	405	0.6	0.11	61.3	69.3	74.5	1.98
10	2 400	215	412	0.5	0.08	63.0	71.0	76.4	1.96
11	1 200	608	23	0.1	0.01	43.0	51.0	57.1	4.86
12	1 200	537	41	0.1	0.02	41.0	49.0	54.6	4.47
13	1 200	429	63	0.1	0.02	40.1	48.1	54.1	4.14
14	1 200	215	82	0.1	0.01	46.3	54.3	59.4	4.28
15	1 200	107	84	0.0	0.01	47.9	55.9	61.3	4.70

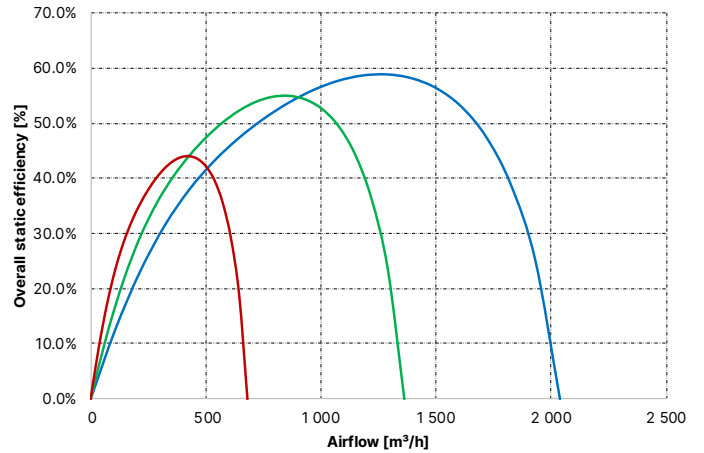
dP = f(V)



EPC = f(V)



$\eta_{es} = f(V)$



Power supply and control connections

