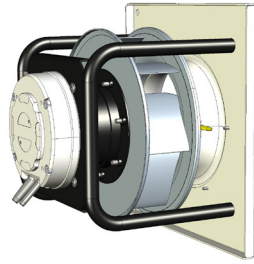


Fan Set Appearance



General specification

Fan Set / Motorized Impeller Model	SR-FS/MI-A-225-0.7
Rated Voltage	1×230 VAC / 50-60 Hz
Nominal Input Power / Rated Current	0.90 kW / 5.7 A
Revolutions: Min / Nominal	450 ÷ 4500 RPM
CAV K-factor	47.5
Temperature ranges: Storage / Operating	-30 ÷ +50 °C / -25 ÷ +50 °C
Front plate / Bracket material*	Magnelis / Powder coated steel
Installation position	Horizontal / Vertical shaft
Weight: FS / MI	7.6 / 5.1 kg

Motor

Type / Efficiency Class	Electronically Comutated, Brushless DC
Housing / Protection Degree	Die-cast aluminum
Overload protection	IP 54
Speed Control	Die-cast aluminum
Bearings	Inbuilt thermal limit
Bearings service life L <sub>10</sub>	63 400 (104 °F) / 31 700 (max. work. temperature)
Insulation class	F

Impeller

Fan Impeller Size, Blade design / No	225 mm / Aerofoil / 7
Spinning direction	Clockwise, wiewed from air inlet
Impeller / Inlet Cone material	Aluminum / Hot-dip galvanized steel
Balance grade	G 6,3 (ISO 1940-1) / BV-3 (ANSI S2.19-1989)

Information according to (EU) 327/2011 (ERP 2018)

Commission Regulation (EU) 327/2011  Requirements for fans driven by motors with an electric input power between 125 W and 500 kW.	1	Overall efficiency $\eta_{es}$	59.7%
	2	Measurement category	A
	3	Efficiency Category	Static
	4	Efficiency grade N: Actual / Req. 2015	66.2%
	5	Variable speed drive	Yes
		Power consumption $P_{ed}$ [kW]	0.83 kW
	9	Air flow $q_v$ [m <sup>3</sup> /h]	1 527 m <sup>3</sup> /h
		Pressure increase pfs	1 069 Pa
	10	Speed (rpm) n	4 500
	11	Specific ratio	1.01

AMCA Certification

Swiss Rotors Sp. z o.o. certifies that the

- SR-FS-A-225-0.7 Fan Set and
- SR-MI-A-225-0.7 Motorized Impeller

shown herein are licensed to bear the AMCA seal.

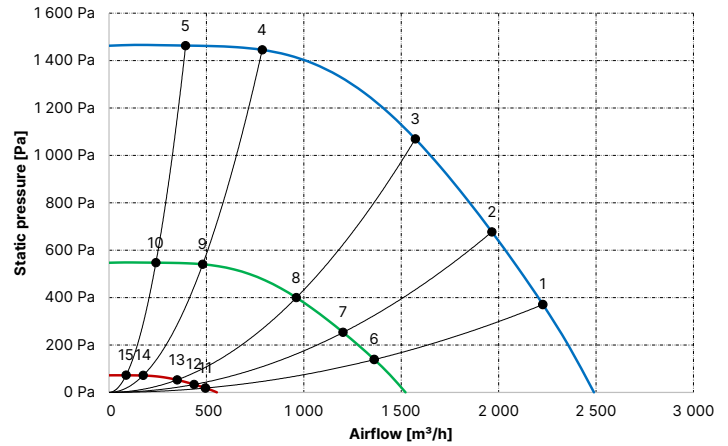
The ratings shown are based on tests and procedures performed in accordance with AMCA Publication 211 and AMCA Publication 311 and comply with the requirements of the AMCA Certified Ratings Program.

- Power rating does not include transmission losses.
- Performance ratings do not include the effects of appurtenances.
- Performance certified is for installation type A (Free inlet, free outlet).

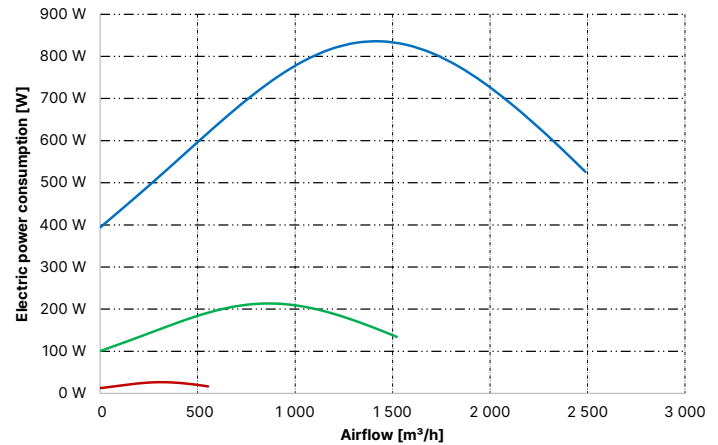
Fan Efficiency Grade (FEG), AMCA 205-10

90

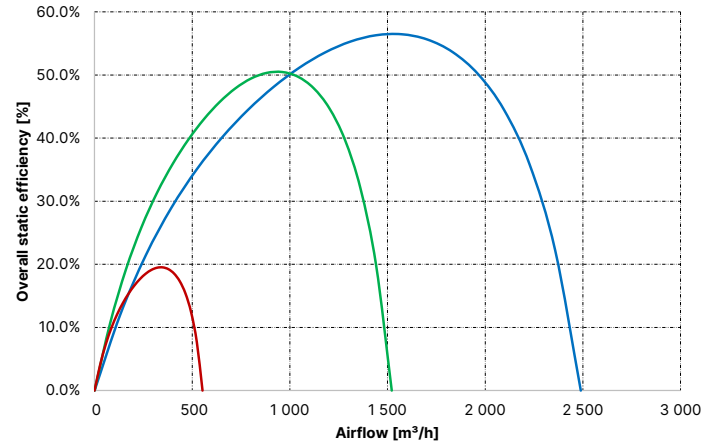
dP = f(V)



EPC = f(V)



$\eta_{es} = f(V)$

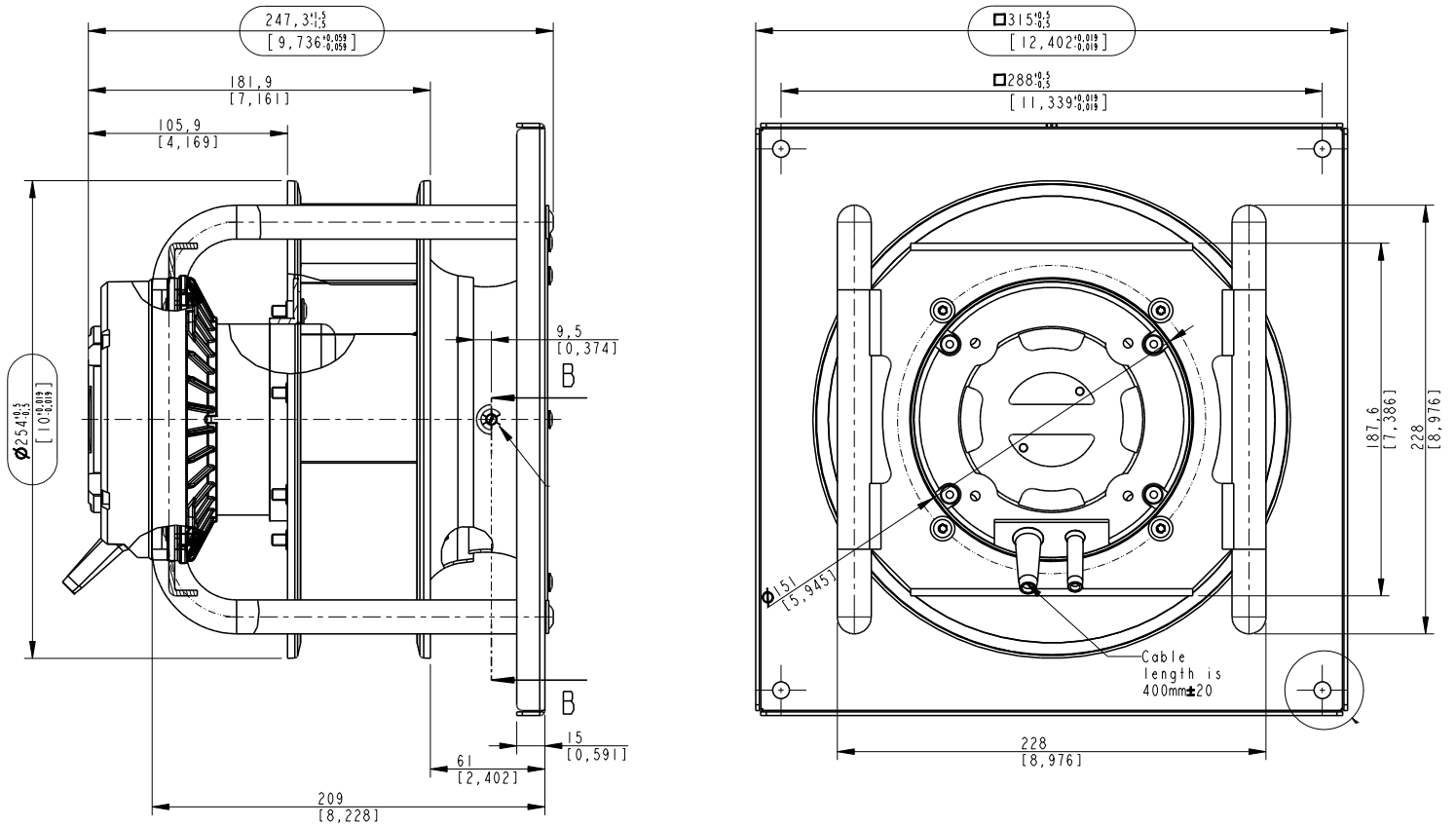


AMCA Certified Work Points

Point #	n RPM	V [m <sup>3</sup> /h]	dP [Pa]	I [A]	EPC [kW]	L <sub>p</sub> A <sub>in</sub> dB(A)	L <sub>w</sub> A <sub>in</sub> dB(A)	L <sub>w</sub> A <sub>out</sub> dB(A)	FEI
t	4 500	2 227	371	3.5	0.64	72.8	80.8	86.4	0.97
2	4 500	1 965	677	4.1	0.74	72.8	80.8	86.5	1.26
3	4 500	1 572	1 069	4.6	0.83	72.3	80.3	85.2	1.42
4	4 500	786	1 445	3.9	0.71	76.2	84.2	89.7	1.32
5	4 500	393	1 463	3.0	0.55	76.8	84.8	90.2	1.16
6	2 751	1 361	138	0.8	0.16	62.2	70.2	75.7	1.30
7	2 751	1 201	253	1.0	0.19	62.1	70.1	75.8	1.52
8	2 751	961	400	1.1	0.21	61.6	69.6	74.5	1.64
9	2 751	481	540	0.9	0.18	65.5	73.5	79.0	1.60
10	2 751	240	547	0.7	0.14	66.1	74.1	79.5	1.53
11	1 000	495	18	0.0	0.02	40.2	48.2	53.7	2.72
12	1 000	437	33	0.0	0.02	40.1	48.1	53.8	2.49
13	1 000	349	53	0.1	0.03	39.6	47.6	52.5	2.29
14	1 000	175	71	0.0	0.02	43.5	51.5	57.0	2.32
15	1 000	87	72	0.0	0.02	44.1	52.1	57.5	2.57



Installation Dimensions - Fan Set (FS)



Installation Dimensions - Motorized Impeller (MI)

