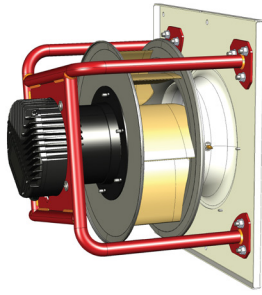


Fan Set Appearance



General specification

Fan Set / Motorized Impeller Model	SR-FS/MI-A-315-2.5
Rated Voltage	3×380-480 VAC / 50-60 Hz
Nominal Input Power / Rated Current	2.60 kW / 4.0 A
Revolutions: Min / Nominal	370 ÷ 3700 RPM
CAV K-factor	96.5
Temperature ranges: Storage / Operating	-30 ÷ +50 °C / -25 ÷ +40 °C
Front plate / Bracket material*	Magnelis / Powder coated steel
Installation position	Horizontal / Vertical shaft
Weight: FS / MI	16.1 / 10.7 kg

Motor

Type / Efficiency Class	Electronically Comutated, Brushless DC
Housing / Protection Degree	Die-cast aluminum
Overload protection	IP 54
Speed Control	Die-cast aluminum
Bearings	Inbuilt thermal limit
Bearings service life L ₁₀	75 200 (104 °F) / 37 600 (max. work. temperature)
Insulation class	F

Impeller

Fan Impeller Size, Blade design / No	315 mm / Aerofoil / 7
Spinning direction	Clockwise, wiewed from air inlet
Impeller / Inlet Cone material	Aluminum / Hot-dip galvanized steel
Balance grade	G 6,3 (ISO 1940-1) / BV-3 (ANSI S2.19-1989)

Information according to (EU) 327/2011 (ERP 2018)

Commission Regulation (EU) 327/2011	1 Overall efficiency η_{es}	67.1%
	2 Measurement category	A
	3 Efficiency Category	Static
	4 Efficiency grade N: Actual / Req. 2015	69.9%
Requirements for fans driven by motors with an electric input power between 125 W and 500 kW.	5 Variable speed drive	Yes
	Power consumption P_{ed} [kW]	2.33 kW
	9 Air flow q_v [m ³ /h]	3 902 m ³ /h
	Pressure increase pfs	1 363 Pa
	10 Speed (rpm) n	3 600
	11 Specific ratio	1.01

AMCA Certification

Swiss Rotors Sp. z o.o. certifies that the

- SR-FS-A-315-2.5 Fan Set and
- SR-MI-A-315-2.5 Motorized Impeller

shown herein are licensed to bear the AMCA seal.

The ratings shown are based on tests and procedures performed in accordance with AMCA Publication 211 and AMCA Publication 311 and comply with the requirements of the AMCA Certified Ratings Program.

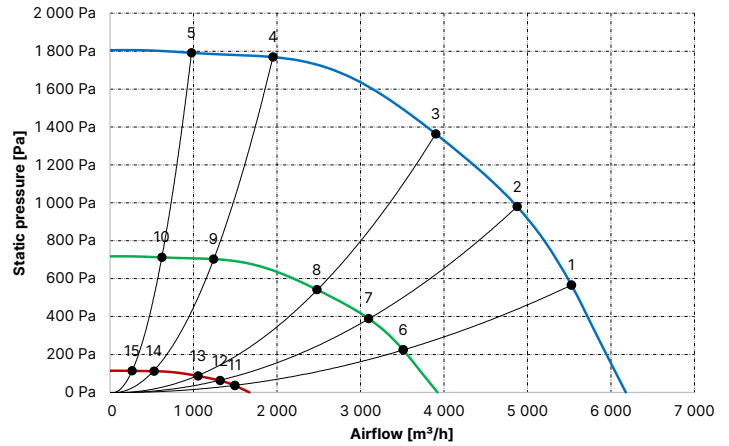
- Power rating does not include transmission losses.
- Performance ratings do not include the effects of appurtenances.
- Performance certified is for installation type A (Free inlet, free outlet).

Fan Efficiency Grade (FEG), AMCA 205-10

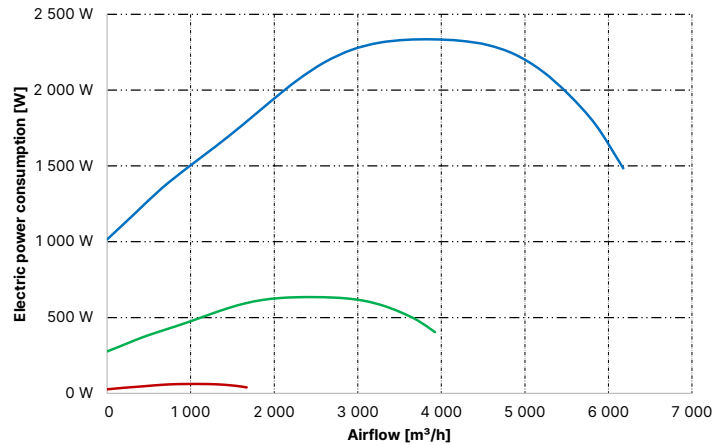
85



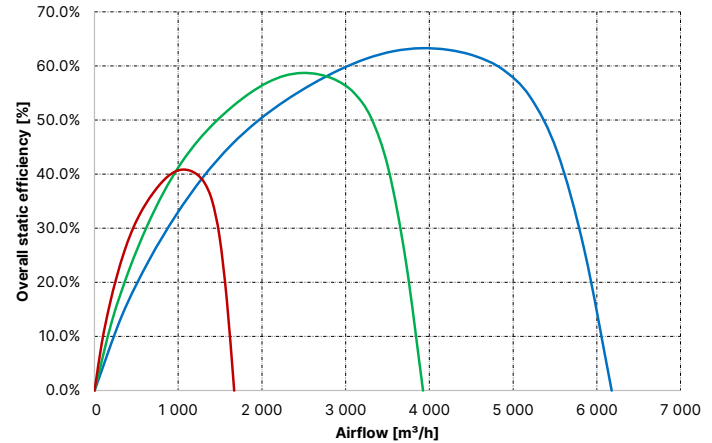
dP = f(V)



EPC = f(V)



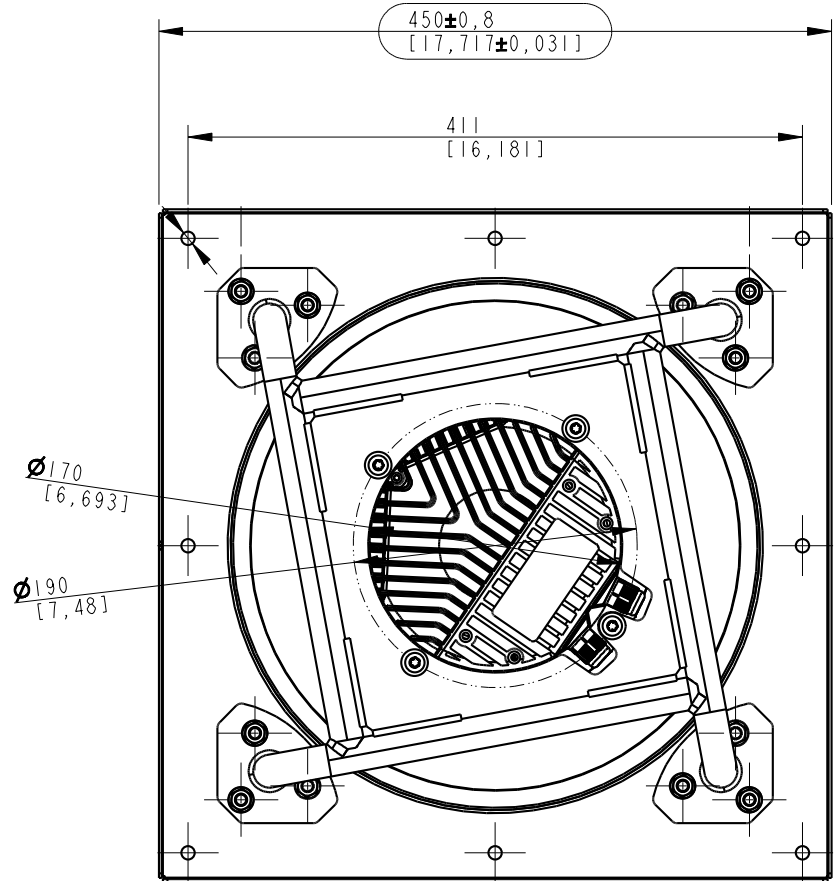
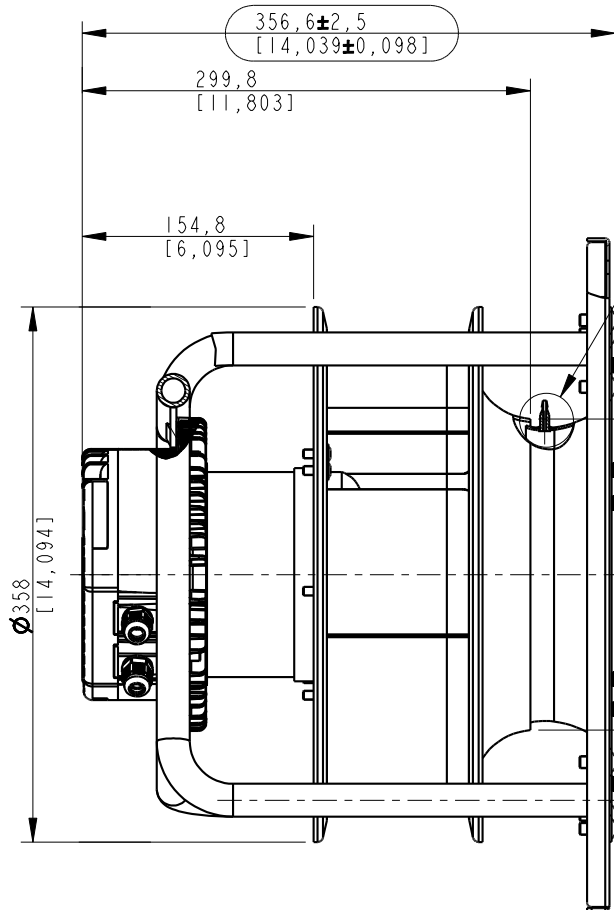
$\eta_{es} = f(V)$



AMCA Certified Work Points

Point #	n RPM	V [m ³ /h]	dP [Pa]	I [A]	EPC [kW]	L _p A _{in} dB(A)	L _w A _{in} dB(A)	L _w A _{out} dB(A)	FEI
t	3 700	5 527	566	2.9	1.97	79.1	87.1	92.6	1.02
2	3 700	4 877	980	3.3	2.24	78.8	86.8	92.4	1.31
3	3 700	3 902	1 363	3.4	2.33	78.7	86.7	91.4	1.39
4	3 700	1 951	1 769	2.8	1.92	81.9	89.9	95.5	1.17
5	3 700	975	1 791	2.2	1.49	82.8	90.8	96.1	0.89
6	2 350	3 511	225	0.9	0.54	69.3	77.3	82.7	1.19
7	2 350	3 098	389	1.0	0.61	68.9	76.9	82.6	1.42
8	2 350	2 478	542	1.0	0.64	68.8	76.8	81.5	1.47
9	2 350	1 239	703	0.8	0.52	72.1	80.1	85.7	1.28
10	2 350	620	712	0.7	0.41	73.0	81.0	86.3	1.04
11	1 000	1 494	36	0.2	0.05	50.7	58.7	64.2	2.51
12	1 000	1 318	62	0.2	0.06	50.4	58.4	64.0	2.39
13	1 000	1 054	86	0.2	0.06	50.2	58.2	63.0	2.24
14	1 000	527	112	0.2	0.05	53.5	61.5	67.1	2.00
15	1 000	264	113	0.2	0.04	54.4	62.4	67.7	1.88

Installation Dimensions - Fan Set (FS)



Installation Dimensions - Motorized Impeller (MI)

