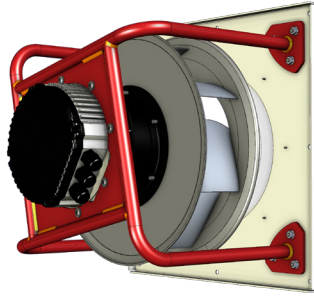


Fan Set Appearance



General specification

Fan Set / Motorized Impeller Model	SR-FS/MI-A-400-5.4
Rated Voltage	3×380-480 VAC / 50-60 Hz
Nominal Input Power / Rated Current	5.75 kW / 8.4 A
Revolutions: Min / Nominal	325 ÷ 3250 RPM
CAV K-factor	170
Temperature ranges: Storage / Operating	-30 ÷ +50 °C / -25 ÷ +40 °C
Front plate / Bracket material*	Magnelis / Powder coated steel
Installation position	Horizontal / Vertical shaft
Weight: FS / MI	38.7 / 29.4 kg

Motor

Type / Efficiency Class	Electronically Comutated, Brushless DC
Housing / Protection Degree	Die-cast aluminum / IP 54
Speed control	0~10VDC / Modbus RTU
Windings insulation class	F
Overload protection	Inbuilt thermal limit
Bearings	Ball type, Maintenance Free, Permanently Lubricated
Bearings service life L10	71 246 (40 °C) / 35 623 (max. work. temperature)

Impeller

Fan Impeller Size, Blade design / No	400 mm / Aerofoil / 7
Spinning direction	Clockwise, wiewed from air inlet
Impeller / Inlet Cone material	Aluminum / Hot-dip galvanized steel
Balance grade	G 6,3 (ISO 1940-1) / BV-3 (ANSI S2.19-1989)

Information according to (EU) 327/2011 (ERP 2018)

Commission Regulation (EU) 327/2011 Requirements for fans driven by motors with an electric input power between 125 W and 500 kW.	1	Overall efficiency η_{es}	66.7%
	2	Measurement category	A
	3	Efficiency Category	Static
	4	Efficiency grade N: Actual / Req. 2015	66.7%
	5	Variable speed drive	Yes
		Power consumption P_{ed} [kW]	5.65 kW
	9	Air flow q_v [m³/h]	6 802 m³/h
		Pressure increase pfs	1 916 Pa
	10	Speed (rpm) n	3 250
	11	Specific ratio	1.01

AMCA Certification

Swiss Rotors Sp. z o.o. certifies that the

- SR-FS-A-400-5.4 Fan Set and
- SR-MI-A-400-5.4 Motorized Impeller

shown herein are licensed to bear the AMCA seal.

The ratings shown are based on tests and procedures performed in accordance with AMCA Publication 211 and AMCA Publication 311 and comply with the requirements of the AMCA Certified Ratings Program.

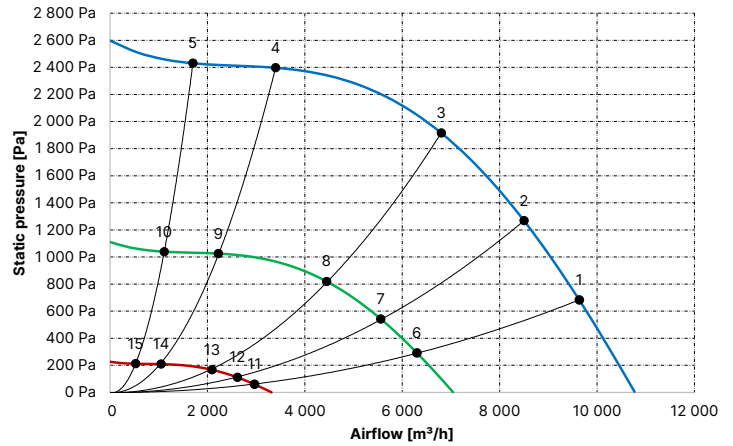
- Power rating does not include transmission losses.
- Performance ratings do not include the effects of appurtenances.
- Performance certified is for installation type A (Free inlet, free outlet).

Fan Efficiency Grade (FEG), AMCA 205-10

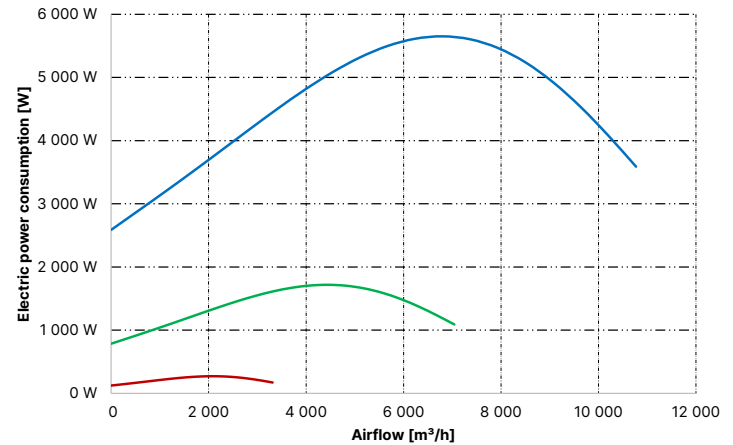
80



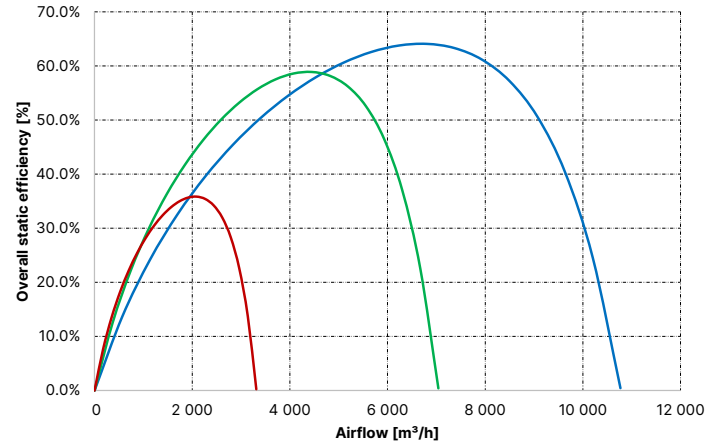
$dP = f(V)$



$EPC = f(V)$



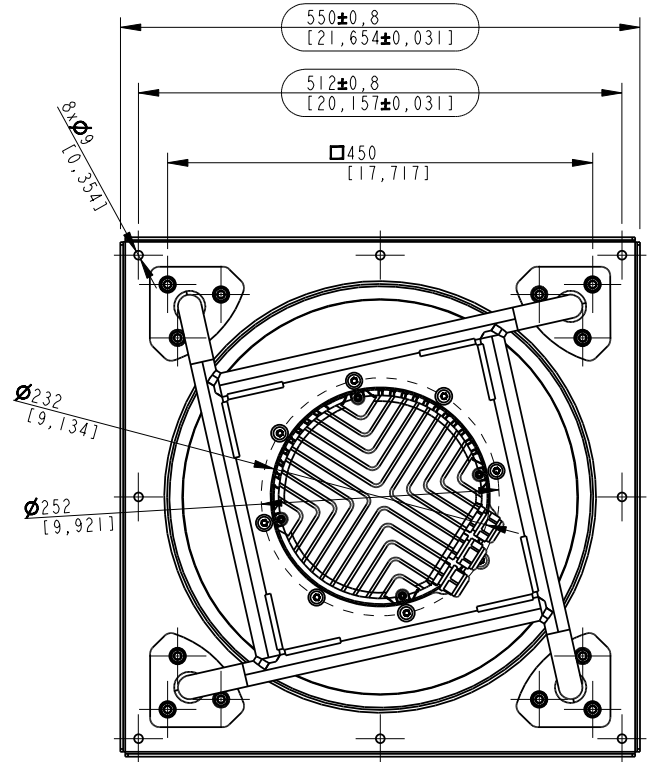
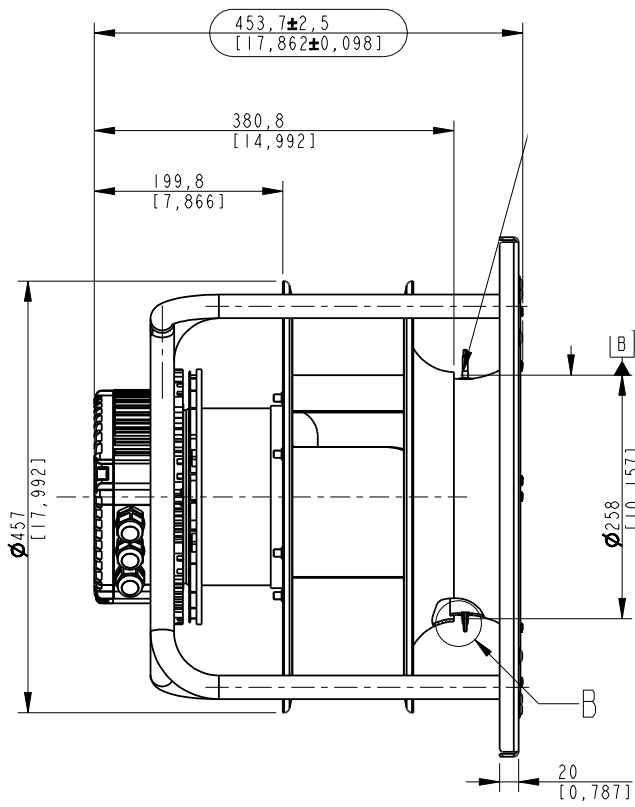
$\eta_{es} = f(V)$



AMCA Certified Work Points

Point #	n RPM	V [m³/h]	dP [Pa]	I [A]	EPC [kW]	$L_p A_{in}$ dB(A)	$L_w A_{in}$ dB(A)	$L_w A_{out}$ dB(A)	FEI
t	3 250	9 636	683	6.4	4.53	87.1	95.1	98.7	0.90
2	3 250	8 503	1 268	7.4	5.24	84.5	92.5	96.8	1.24
3	3 250	6 802	1 916	8.0	5.65	81.8	89.8	95.2	1.39
4	3 250	3 401	2 398	6.4	4.50	84.8	92.8	98.2	1.11
5	3 250	1 701	2 431	5.1	3.52	86.2	94.2	99.9	0.78
6	2 125	6 301	292	2.2	1.38	77.9	85.9	89.5	0.96
7	2 125	5 559	542	2.5	1.59	75.3	83.3	87.5	1.22
8	2 125	4 448	819	2.6	1.72	72.5	80.5	86.0	1.32
9	2 125	2 224	1 025	2.2	1.37	75.6	83.6	89.0	1.10
10	2 125	1 112	1 039	1.8	1.07	77.0	85.0	90.6	0.82
11	1 000	2 965	59	0.6	0.22	61.6	69.6	73.1	1.25
12	1 000	2 616	110	0.6	0.25	58.9	66.9	71.2	1.28
13	1 000	2 093	167	0.7	0.27	56.2	64.2	69.6	1.24
14	1 000	1 046	209	0.6	0.22	59.2	67.2	72.6	1.06
15	1 000	523	212	0.5	0.17	60.6	68.6	74.3	0.88

Installation Dimensions - Fan Set (FS)



Installation Dimensions - Motorized Impeller (MI)

