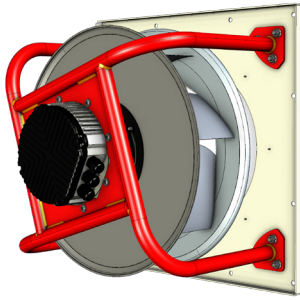


Fan Set Appearance



General specification

| | |
|---|--------------------------------|
| Fan Set / Motorized Impeller Model | SR-FS/MI-A-500-3.7 |
| Rated Voltage | 3×380-480 VAC / 50-60 Hz |
| Nominal Input Power / Rated Current | 3.70 kW / 5.5 A |
| Revolutions: Min / Nominal | 300 ÷ 1900 RPM |
| CAV K-factor | 250 |
| Temperature ranges: Storage / Operating | -30 ÷ +50 °C / -25 ÷ +40 °C |
| Front plate / Bracket material* | Magnelis / Powder coated steel |
| Installation position | Horizontal / Vertical shaft |
| Weight: FS / MI | 53.2 / 33.4 kg |

Motor

| | |
|---------------------------------------|---|
| Type / Efficiency Class | Electronically Comutated, Brushless DC |
| Housing / Protection Degree | Die-cast aluminum |
| Overload protection | IP 54 |
| Speed Control | Die-cast aluminum |
| Bearings | Inbuilt thermal limit |
| Bearings service life L ₁₀ | 71 200 (104 °F) / 35 600 (max. work. temperature) |
| Insulation class | F |

Impeller

| | |
|--------------------------------------|---|
| Fan Impeller Size, Blade design / No | 500 mm / Aerofoil / 7 |
| Spinning direction | Clockwise, wiewed from air inlet |
| Impeller / Inlet Cone material | Aluminum / Hot-dip galvanized steel |
| Balance grade | G 6,3 (ISO 1940-1) / BV-3 (ANSI S2.19-1989) |

Information according to (EU) 327/2011 (ERP 2018)

| | | |
|--|--|-------------------------|
| Commission Regulation (EU) 327/2011 Requirements for fans driven by motors with an electric input power between 125 W and 500 kW. | 1 Overall efficiency η_{es} | 69.8% |
| | 2 Measurement category | A |
| | 3 Efficiency Category | Static |
| | 4 Efficiency grade N: Actual / Req. 2015 | 71.2% |
| | 5 Variable speed drive | Yes |
| | Power consumption P_{ed} [kW] | 3.59 kW |
| | 9 Air flow q_v [m ³ /h] | 8 577 m ³ /h |
| | Pressure increase pfs | 1 001 Pa |
| | 10 Speed (rpm) n | 1 900 |
| | 11 Specific ratio | 1.01 |

AMCA Certification

Swiss Rotors Sp. z o.o. certifies that the

- SR-FS-A-500-3.7 Fan Set and
- SR-MI-A-500-3.7 Motorized Impeller

shown herein are licensed to bear the AMCA seal.

The ratings shown are based on tests and procedures performed in accordance with AMCA Publication 211 and AMCA Publication 311 and comply with the requirements of the AMCA Certified Ratings Program.

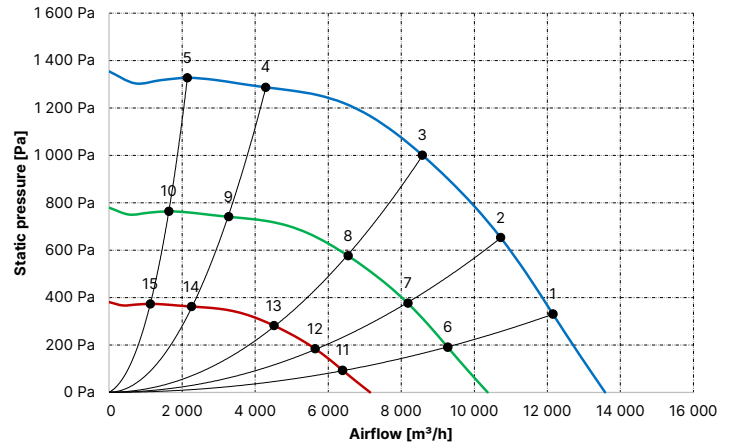
- Power rating does not include transmission losses.
- Performance ratings do not include the effects of appurtenances.
- Performance certified is for installation type A (Free inlet, free outlet).

Fan Efficiency Grade (FEG), AMCA 205-10

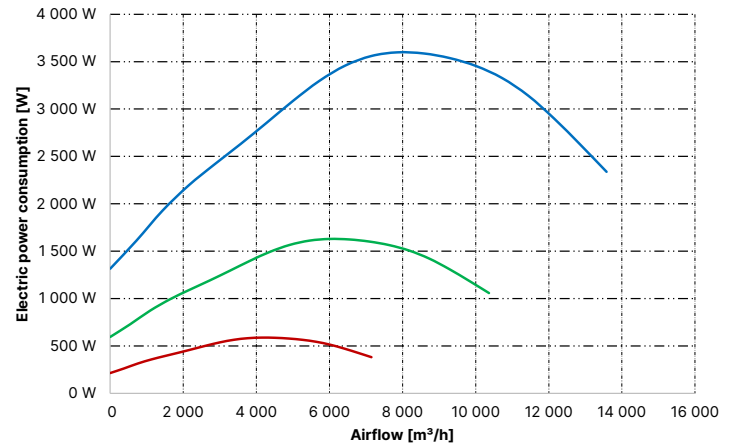
85



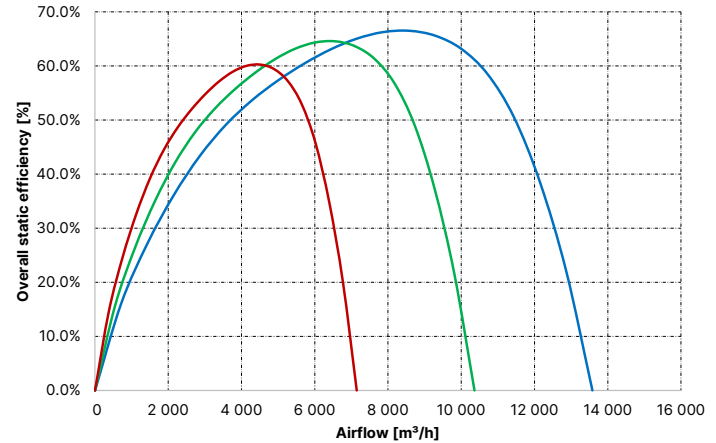
dP = f(V)



EPC = f(V)



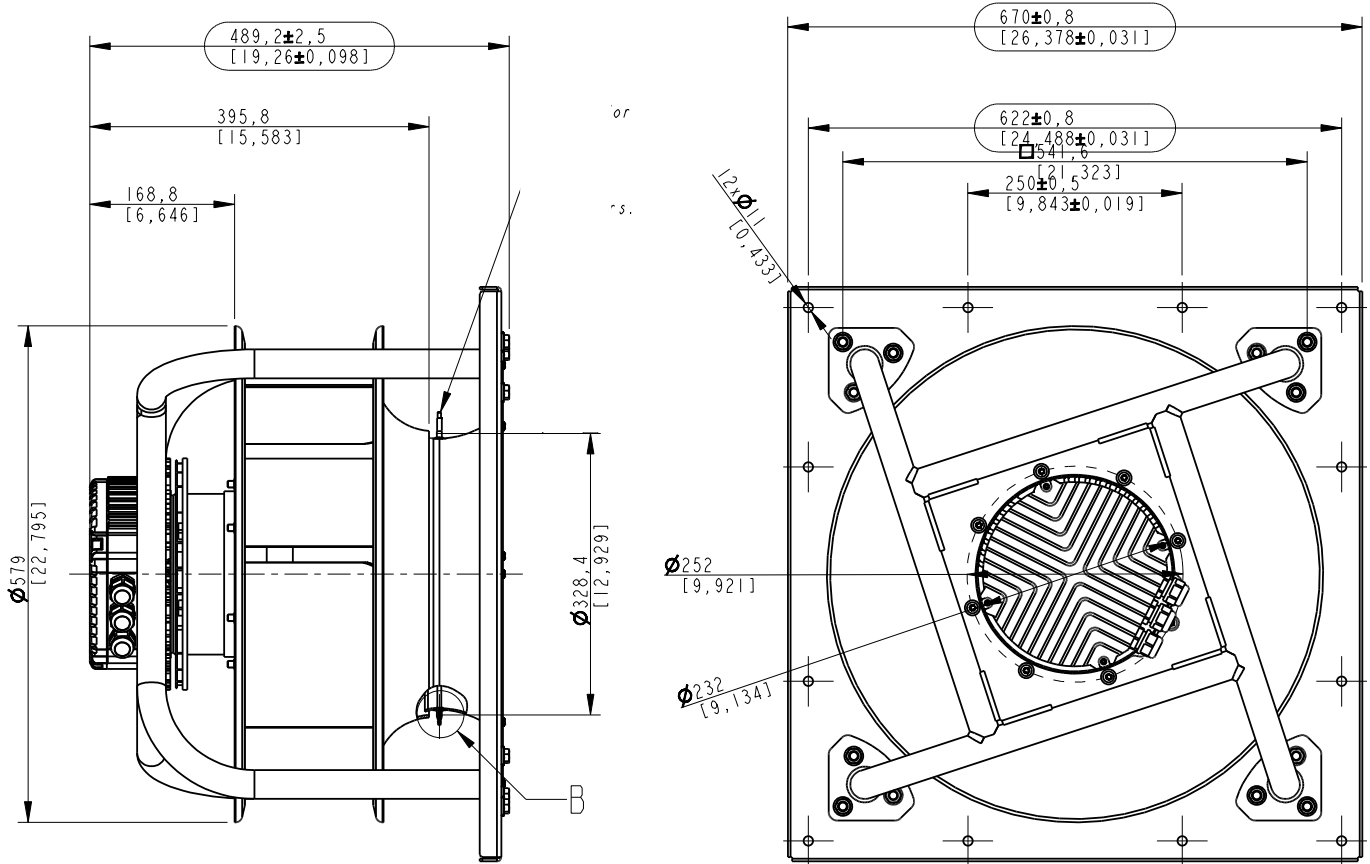
$\eta_{es} = f(V)$



AMCA Certified Work Points

| Point # | n RPM | V [m ³ /h] | dP [Pa] | I [A] | EPC [kW] | L _p A _{in} dB(A) | L _w A _{in} dB(A) | L _w A _{out} dB(A) | FEI |
|---------|-------|-----------------------|---------|-------|----------|--------------------------------------|--------------------------------------|---------------------------------------|------|
| t | 1 900 | 12 151 | 330 | 4.2 | 2.90 | 88.3 | 96.3 | 96.8 | 0.96 |
| 2 | 1 900 | 10 721 | 653 | 4.8 | 3.33 | 82.3 | 90.3 | 92.3 | 1.31 |
| 3 | 1 900 | 8 577 | 1 001 | 5.1 | 3.59 | 75.1 | 83.1 | 87.7 | 1.45 |
| 4 | 1 900 | 4 288 | 1 287 | 4.2 | 2.86 | 76.8 | 84.8 | 90.1 | 1.18 |
| 5 | 1 900 | 2 144 | 1 327 | 3.3 | 2.19 | 78.8 | 86.8 | 92.7 | 0.85 |
| 6 | 1 450 | 9 273 | 190 | 2.1 | 1.31 | 82.4 | 90.4 | 91.0 | 1.08 |
| 7 | 1 450 | 8 182 | 376 | 2.3 | 1.51 | 76.4 | 84.4 | 86.4 | 1.38 |
| 8 | 1 450 | 6 545 | 576 | 2.5 | 1.62 | 69.2 | 77.2 | 81.8 | 1.48 |
| 9 | 1 450 | 3 273 | 741 | 2.1 | 1.29 | 70.9 | 78.9 | 84.3 | 1.21 |
| 10 | 1 450 | 1 636 | 764 | 1.7 | 0.99 | 72.9 | 80.9 | 86.8 | 0.90 |
| 11 | 1 000 | 6 395 | 93 | 1.0 | 0.47 | 74.3 | 82.3 | 82.9 | 1.39 |
| 12 | 1 000 | 5 643 | 184 | 1.0 | 0.54 | 68.4 | 76.4 | 78.4 | 1.58 |
| 13 | 1 000 | 4 514 | 281 | 1.1 | 0.59 | 61.1 | 69.1 | 73.7 | 1.61 |
| 14 | 1 000 | 2 257 | 362 | 0.9 | 0.47 | 62.9 | 70.9 | 76.2 | 1.33 |
| 15 | 1 000 | 1 129 | 373 | 0.8 | 0.36 | 64.9 | 72.9 | 78.8 | 1.02 |

Installation Dimensions - Fan Set (FS)



Installation Dimensions - Motorized Impeller (MI)

