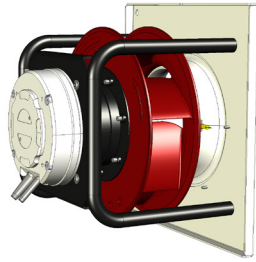


Fan Set Appearance



General specification

Fan Set / Motorized Impeller Model	SR-FS/MI-P-225-0.7
Rated Voltage	1×230 VAC / 50-60 Hz
Nominal Input Power / Rated Current	0.90 kW / 5.7 A
Revolutions: Min / Nominal	450 ÷ 4500 RPM
CAV K-factor	47.6
Temperature ranges: Storage / Operating	-30 ÷ +50 °C / -25 ÷ +50 °C
Front plate / Bracket material*	Magnelis / Powder coated steel
Installation position	Horizontal / Vertical shaft
Weight: FS / MI	7.5 / 5 kg

Motor

Type / Efficiency Class	Electronically Comutated, Brushless DC
Housing / Protection Degree	Die-cast aluminum
Overload protection	IP 54
Speed Control	Die-cast aluminum
Bearings	Inbuilt thermal limit
Bearings service life L <sub>10</sub>	63 400 (104 °F) / 31 700 (max. work. temperature)
Insulation class	F

Impeller

Fan Impeller Size, Blade design / No	225 mm / Aerofoil / 7
Spinning direction	Clockwise, wiewed from air inlet
Impeller / Inlet Cone material	Polymer / Hot-dip galvanized steel
Balance grade	G 6,3 (ISO 1940-1) / BV-3 (ANSI S2.19-1989)

Information according to (EU) 327/2011 (ERP 2018)

Commission Regulation (EU) 327/2011  Requirements for fans driven by motors with an electric input power between 125 W and 500 kW.	1	Overall efficiency $\eta_{es}$	62.0%
	2	Measurement category	A
	3	Efficiency Category	Static
	4	Efficiency grade N: Actual / Req. 2015	68.1%
	5	Variable speed drive	Yes
		Power consumption $P_{ed}$ [kW]	0.85 kW
	9	Air flow $q_v$ [m <sup>3</sup> /h]	1 642 m <sup>3</sup> /h
		Pressure increase $p_{fs}$	1 065 Pa
	10	Speed (rpm) $n$	4 500
	11	Specific ratio	1.01

AMCA Certification

Swiss Rotors Sp. z o.o. certifies that the

- SR-FS-P-225-0.7 Fan Set and
- SR-MI-P-225-0.7 Motorized Impeller

shown herein are licensed to bear the AMCA seal.

The ratings shown are based on tests and procedures performed in accordance with AMCA Publication 211 and AMCA Publication 311 and comply with the requirements of the AMCA Certified Ratings Program.

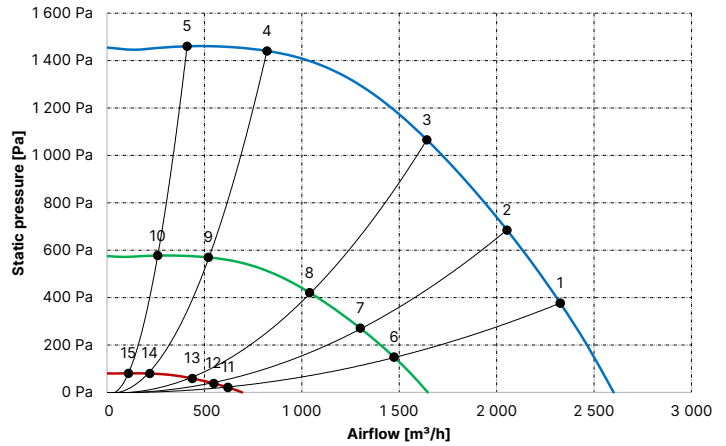
- Power rating does not include transmission losses.
- Performance ratings do not include the effects of appurtenances.
- Performance certified is for installation type A (Free inlet, free outlet).

Fan Efficiency Grade (FEG), AMCA 205-10

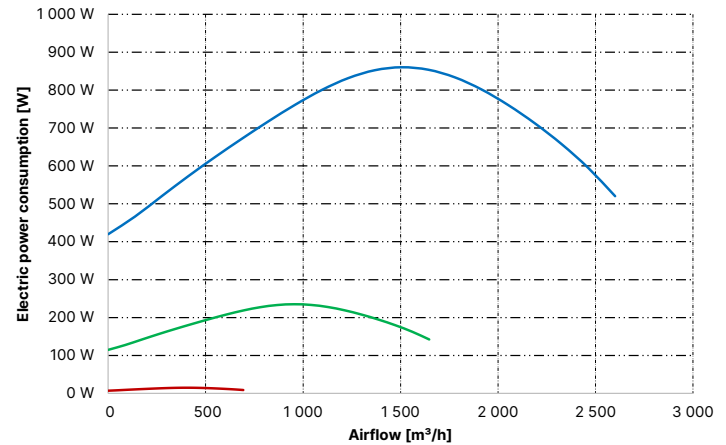
90



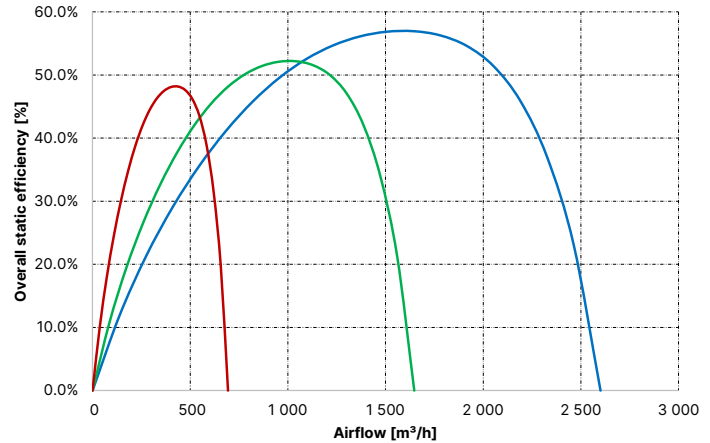
dP = f(V)



EPC = f(V)



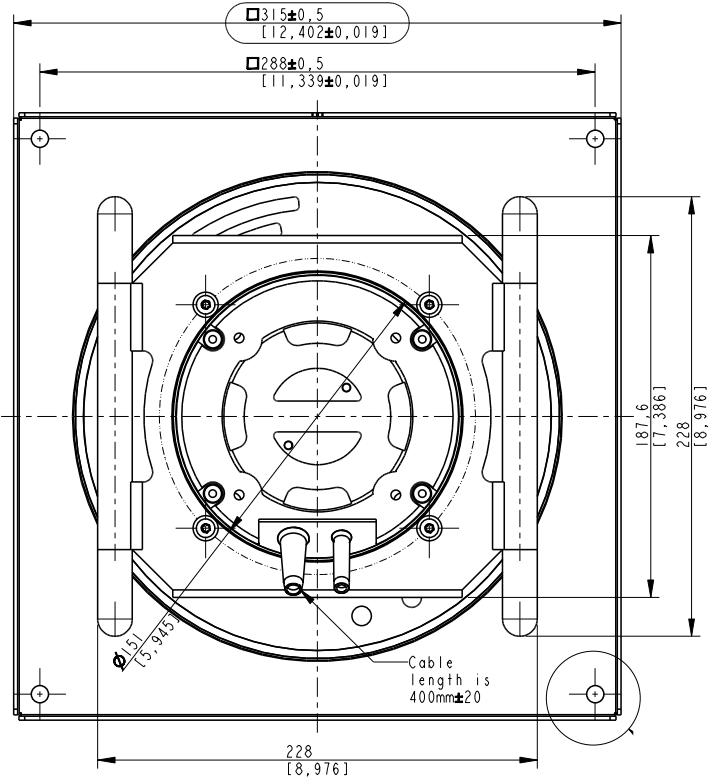
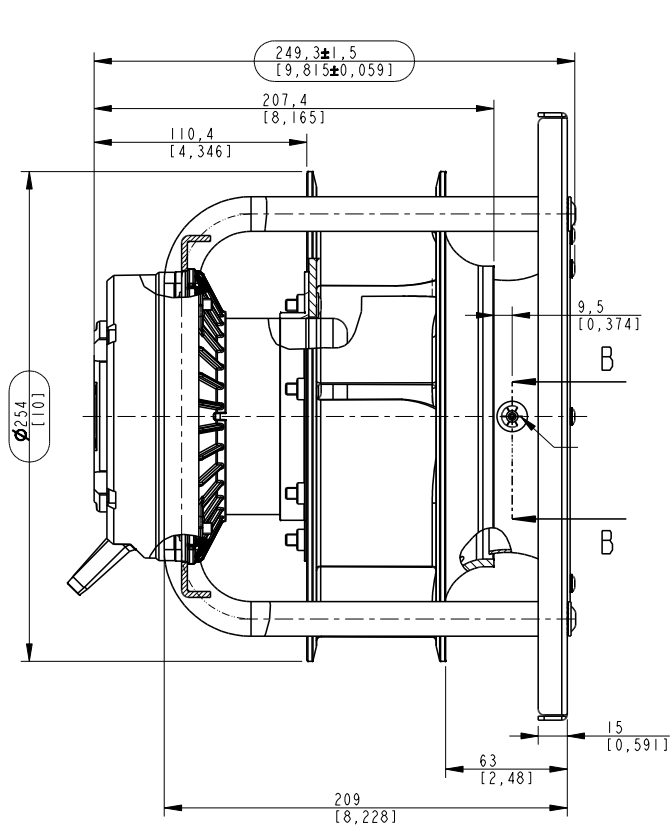
$\eta_{es} = f(V)$



AMCA Certified Work Points

Point #	n RPM	V [m <sup>3</sup> /h]	dP [Pa]	I [A]	EPC [kW]	L <sub>p</sub> A <sub>in</sub> dB(A)	L <sub>w</sub> A <sub>in</sub> dB(A)	L <sub>w</sub> A <sub>out</sub> dB(A)	FEI
t	4 500	2 327	376	3.7	0.66	71.8	79.8	85.9	1.00
2	4 500	2 053	685	4.3	0.76	70.0	78.0	83.7	1.28
3	4 500	1 642	1 065	4.8	0.85	68.8	76.8	82.8	1.42
4	4 500	821	1 441	4.0	0.72	74.9	82.9	88.0	1.34
5	4 500	411	1 461	3.2	0.57	76.6	84.6	90.0	1.14
6	2 850	1 473	149	1.0	0.18	61.9	69.9	76.0	1.32
7	2 850	1 300	271	1.1	0.21	60.1	68.1	73.8	1.54
8	2 850	1 040	421	1.3	0.23	58.9	66.9	72.8	1.64
9	2 850	520	569	1.0	0.20	65.0	73.0	78.1	1.61
10	2 850	260	577	0.8	0.16	66.7	74.7	80.1	1.48
11	1 200	620	21	0.0	0.01	43.1	51.1	57.2	5.61
12	1 200	547	38	0.0	0.01	41.3	49.3	55.0	5.14
13	1 200	438	59	0.0	0.01	40.1	48.1	54.0	4.68
14	1 200	219	79	0.0	0.01	46.2	54.2	59.3	4.71
15	1 200	109	81	0.0	0.01	47.9	55.9	61.3	4.94

Installation Dimensions - Fan Set (FS)



Installation Dimensions - Motorized Impeller (MI)

